

T RANGE SUPPLEMENTARY ACCESSORY PARTS LIST

INDEX

DESCRIPTION	KIT NO.	PAGE
AIR CLEANERS		
3" AIR CLEANER ADAPTOR	993-00249	6
ADAPTORS		
UNMACHINED ADAPTOR, TR/S	993-00012	8
WISCONSIN TYPE, 7 7/8" PILOT, TR/S	993-00019	8
WISCONSIN TYPE, 7" PILOT, TR/S	993-00041	8
ONAN TYPE, 7" PILOT, TR/S	993-00165	8
WISCONSIN TYPE, 7 7/8" PILOT, TX	993-00020	10
TR/S - SR/T INTERCHANGE		
INTERCHANGEABLE PLATES	993-00075	12
ADAPTOR, TR/S TO ST	993-00052	14
ADAPTOR, TR/S TO SR	993-00121	14
FLYWHEEL END P.T.O.		
C106 CLUTCH, TR/S	993-00006	16
C106 DRIVE MEMBER	993-00008	16
C107 CLUTCH, TR/S	993-00007	16
C107 DRIVE MEMBER	570-31660	16
9" AUTOMOTIVE CLUTCH, TR/S	993-00009	18
DRIVE MEMBER	993-00011	18
CLUTCH ASSEMBLY	993-00248	18
C107 CLUTCH, TX	993-00016	20
C108 CLUTCH, TX	993-00163	20
10" ADAPTOR, TX	993-00236	22
EXTENSION SHAFTS		
EXT. SHAFT HARDWARE	993-00023	24
1 1/2" DIA. SHORT	993-00024	24
1 1/2" DIA. LONG	993-00025	24
1 1/2" DIA.	993-00026	24
SEMI-FINISHED	993-00027	24
1 7/8" DIA. TAPERED	993-00166	24
GEAR END P.T.O.		
GEAR END SHAFT, 1 7/16" DIA., TR/S	993-00042	26
GEAR END SHAFT, 1" DIA., TX	993-00231	28

T RANGE SUPPLEMENTARY ACCESSORY PARTS LIST

INDEX

DESCRIPTION	KIT NO.	PAGE
FUEL EQUIPMENT		
SELF-BLEED SYSTEM, TR/S1	993-00223	30
SELF-BLEED SYSTEM, TR/S2/3	993-00151	32
SELF-BLEED SYSTEMS, TX	993-00167	34
FUEL TANK SPACER KIT, TR/S	993-00089	36
FUEL FILTER ADAPTOR, 1/4 NPT	993-00028	38
INLET & LEAK OFF FITTINGS, 1/4 NPT	993-00099	38
AGGLOMERATOR	993-00005	38
ELECTRIC FUEL PUMPS		38
AGGLOMERATOR FOR FUEL TANK	993-00070	40
FILTER FOR ENGINE-MTD. TANK AND BELT-DRIVEN ALTERNATOR, TR/S1	993-00262	42
FILTER FOR ENGINE-MTD. TANK AND BELT-DRIVEN ALTERNATOR, TR/S2/3	993-00263	44
FILTER MTG. FOR USE WITH BELT-DRIVEN ALTERNATOR, TR/S1	993-00265	46
LUBRICATION EQUIPMENT		
LUBE OIL PRESSURE GALLERY KIT	993-00091	48
DRY SUMP KIT, TX3	993-00181	5
DEEP SUMP KIT, TX3	993-00261	5
DEEP SUMP KIT, TR/S3	993-00300	52
HYDRAULIC PUMP DRIVES		
SAE 'B' 13-TOOTH SPLINE, TR/S	993-00095	54
SAE 'BB' 15-TOOTH SPLINE, TR/S	993-00096	54
SAE 'A', 9-TOOTH SPLINE, TR/S	993-00097	56
SAE 'A', 13-TOOTH SPLINE, TR/S	993-00098	56
SAE 'A', 5/8" SHAFT, TR/S	993-00063	58
SAE 'A', 1 1/16" SHAFT, TR/S	993-00105	58
SAE 'A', 3/4" SHAFT, TR/S	993-00101	58
SAE 'A', 7/8" SHAFT, TR/S	993-00217	58
SAE 'B', 3/4" SHAFT, TR/S	993-00149	58
SAE 'B', 7/8" SHAFT, TR/S	993-00064	58
SAE 'C', 1 1/4" SHAFT, TR/S	993-00192	58
SAE 'B', 1" SHAFT, TR/S	993-00298	60
SAE 'C', 14-TOOTH SPLINE, TR/S	993-00287	62
SAE 'A', 9-TOOTH SPLINE, TR/S	993-00290	62
SAE 'B', 7/8" SHAFT, TX	993-00065	64
SAE 'C', 1 1/4" SHAFT, TX	993-00066	64

T RANGE SUPPLEMENTARY ACCESSORY PARTS LIST

INDEX

DESCRIPTION	KIT NO.	PAGE
HYDRAULIC PUMP DRIVES (CONTINUED)		
SAE 'B', 13-TOOTH SPLINE, TX	993-00078	66
SAE 'B', 15-TOOTH SPLINE, TX	993-00077	66
SAE 'C', 14-TOOTH SPLINE, TX	993-00071	66
BELT GUARDS		
ALTERNATOR BELT GUARD, TR/S	993-00239	68
BELT GUARD, TX	993-00155	70
BELT GUARD, TX WITH GEAR END HYDRAULICS	993-00185	72
PROTECTION DEVICES		
HIGH AIR TEMP. SWITCH, N/O, TR/S2/3	993-00076	74
HIGH AIR TEMP. SWITCH, N/O, TR/S2/3	993-00232	74
PRE-ALARM AIR TEMP. SWITCH, TR/S2/3	993-00311	74
HEAD TEMP. SWITCH, N/O, TX	993-00193	76
HEAD TEMP. SWITCH, N/C, TX	993-00277	
LOW OIL PRESSURE SWITCH, N/O	993-00015	78
FUEL CONTROL SOLENOID, TR/S1, 12V	993-00118	80
FUEL CONTROL SOLENOID, TR/S1, 24V	993-00304	80
FUEL CONTROL SOLENOID, 12V, 2/3 CYL.	993-00045	82
FUEL CONTROL SOLENOID, 24V, 2/3 CYL.	993-00100	82
FUEL CONTROL SOLENOID, 12V, 3 WIRE	993-00314	82
SPACER KIT, 2-SPEED SOLENOID WITH FUEL LIFT PUMP	993-00178	84
STOP SWITCH & HARNESS, WITH FLYWHEEL CHARGING	993-00029	86
STOP SWITCH & HARNESS, WITH BELT-DRIVEN ALTERNATOR	993-00257	86
STARTING & CHARGING		
12V ELEC. START LESS STARTER, TR/S	993-00057	88
12V ELEC. START WITH STARTER, TR/S	993-00001	88
12V ELEC. START WITH ALTERNATOR, TR/S	993-00241	90
24V ELEC. START WITH ALTERNATOR, TR/S	993-00306	90
24V ELEC. START, TR/S1	993-00309	90
12V, 62A ALTERNATOR, TR/S	993-00238	92
24V, 40A ALTERNATOR, TR/S	993-00240	92

T RANGE SUPPLEMENTARY ACCESSORY PARTS LIST

INDEX

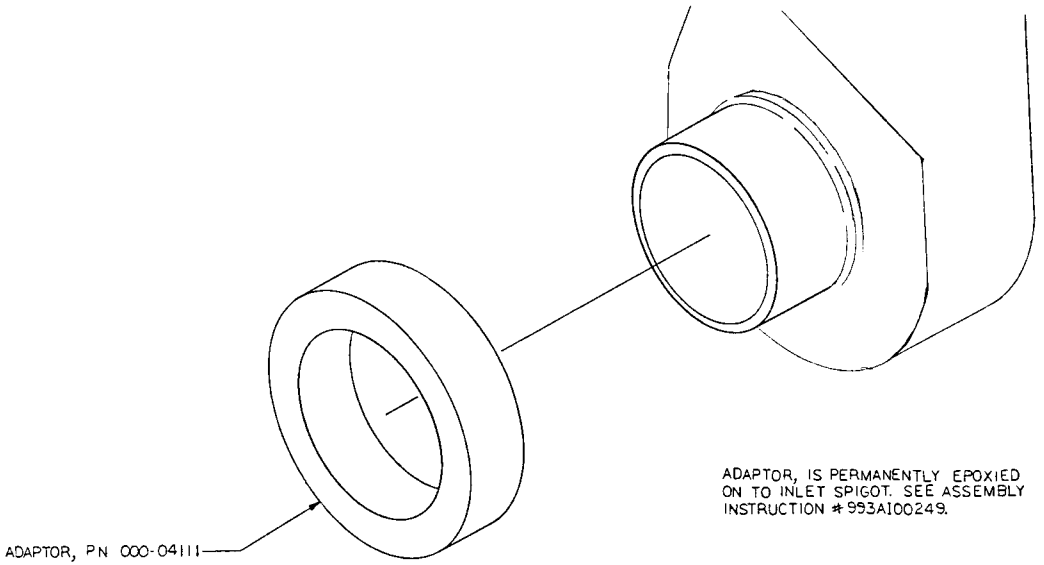
DESCRIPTION	KIT NO.	PAGE
STARTING & CHARGING (CONTINUED)		
12V ELEC. START WITH ALTERNATOR, TX2	993-00138	94
12V ELEC. START WITH ALTERNATOR, TX3	993-00169	94
24V ELEC. START WITH ALTERNATOR, TX3	993-00196	96
12V, 62A ALTERNATOR, TX	993-00179	98
SPRING STARTER, TR/S/X	993-00221	100
STARTING AIDS		
120V SUMP HEATER & THERMOSTAT	993-00170	102
AUTOMATIC ETHER KIT, TR/S	993-00093	104
SPEED CONTROLS		
SPEED CONTROL CABLE, 3 FT.	993-00046	106
SPEED CONTROL CABLE, 6 FT.	993-00060	106
VERNIER SPEED CONTROL CABLE	993-00080	108
SPEED CONTROL CABLE, 6 FT.	993-00002	110
ELECTRONIC GOVERNOR WITHOUT REMOTE SPEED CONTROL	993-00073	112
ELECTRONIC GOVERNOR WITH REMOTE SPEED CONTROL	993-00074	112
INSTRUMENTS & PANELS		
LUBE OIL PRESSURE GAUGE	993-00013	114
TACHOMETER, LOOSE	993-00014	116
TACH/HR. METER, LOOSE	993-00051	116
RATIONALISED PANEL, TR/S2/3	993-00175	118
RATIONALISED PANEL, TX	993-00173	118
PANEL MOUNTING, 1 CYL.	993-00177	120
PANEL MOUNTING, 2/3 CYL.	993-00174	120
GOVERNOR CONVERSIONS - (NOT ILLUSTRATED)		
VARIABLE TO CONSTANT SPEED	993-00272	
CONSTANT TO VARIABLE SPEED	993-00273	
1200 RPM, TR/S2	993-00308	

NOTE: FOR INSTALLATION OF GOVERNOR WEIGHTS AND SPRINGS,
SEE THE MANUFACTURER'S LIST AND WORKSHOP MANUAL.

T RANGE AIR CLEANER ACCESSORIES

3" AIR CLEANER ADAPTOR 993-00249

	DESCRIPTION	PART NO.	QTY
1.	ADAPTOR	000-04111	1
2.	(NOT SHOWN) ASSEMBLY INSTRUCTION	993A10249	1



3" DIA. AIR CLEANER ADAPTOR - T RANGE

T RANGE FLYWHEEL HOUSING ADAPTORS

UNMACHINED ADAPTOR, TR/TS 993-00012

DESCRIPTION	PART NO.	QTY
1. ADAPTOR	000-01590	1

WISCONSIN ADAPTOR, 7 7/8" PILOT TR/TS 993-00019

DESCRIPTION	PART NO.	QTY
1. ADAPTOR	000-01645	1

WISCONSIN ADAPTOR, 7" PILOT TR/TS 993-00041

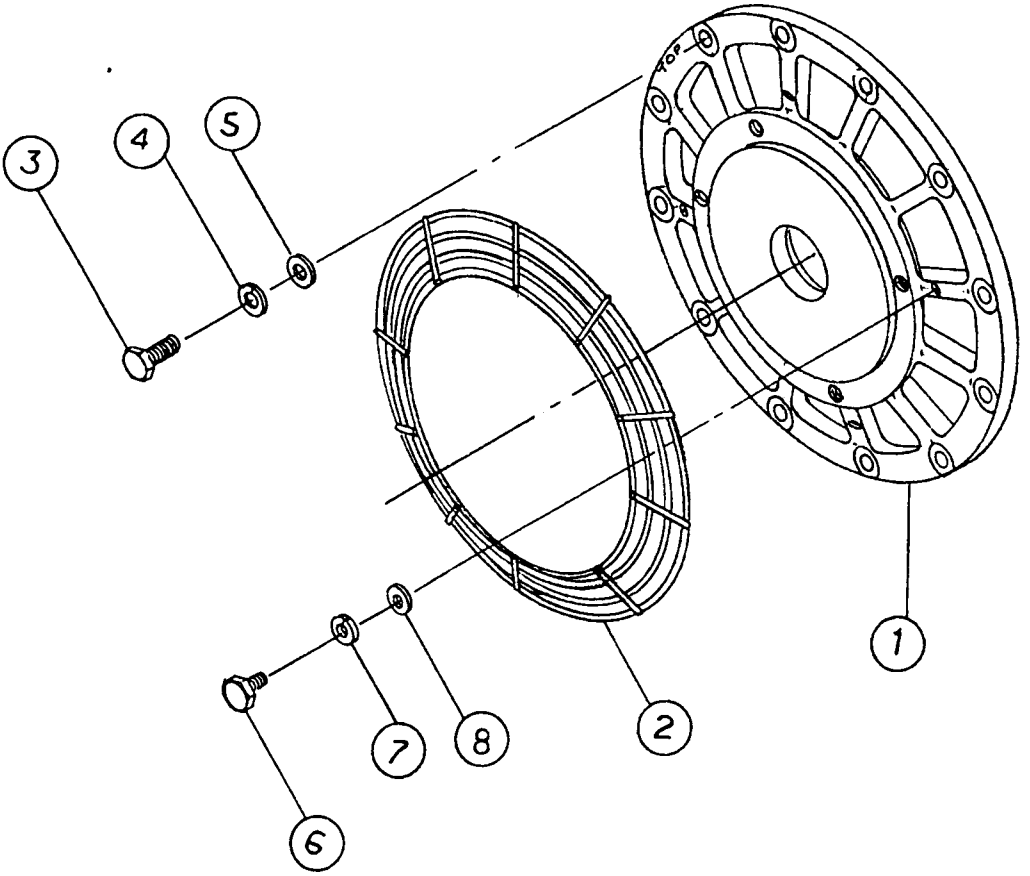
DESCRIPTION	PART NO.	QTY
1. ADAPTOR	000-01666	1

ONAN ADAPTOR, 7" PILOT TR/TS 993-0165

DESCRIPTION	PART NO.	QTY
1. ADAPTOR	000-02063	1

THE FOLLOWING PARTS ARE COMMON TO ALL ADAPTOR KITS LISTED ABOVE:

DESCRIPTION	PART NO.	QTY
2. ADAPTOR GUARD	000-01646	1
3. BOLT 3/8 UNC X 1 1/4	270-00349	12
4. SPRING WASHER 3/8	027-00393	12
5. PLAIN WASHER 3/8	027-00229	12
6. BOLT 1/4 UNF X 1/2	270-00054	4
7. SPRING WASHER 1/4	786078	4
8. PLAIN WASHER 1/4	785631	4

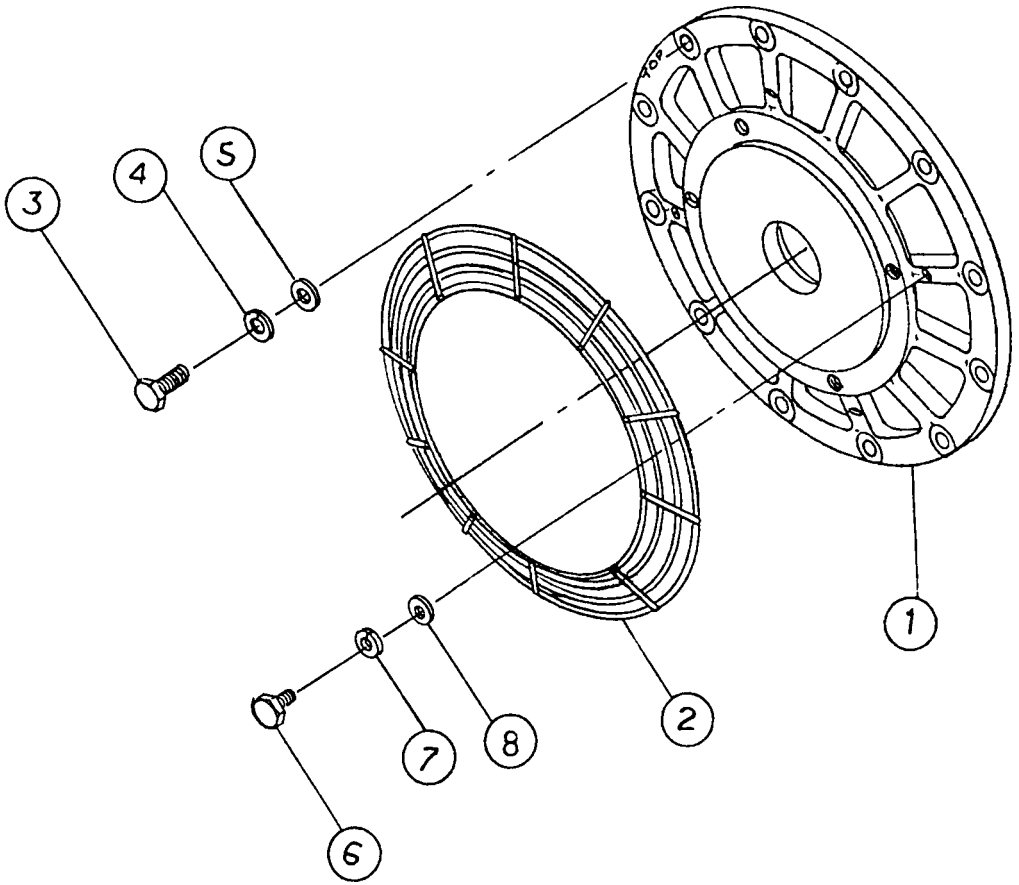


FLYWHEEL HOUSING ADAPTORS - TR/TS -T RANGE

T RANGE FLYWHEEL HOUSING ADAPTORS

WISCONSIN ADAPTOR, 7 7/8" PILOT, TX 993-00020

	DESCRIPTION	PART NO.	QTY
1.	ADAPTOR	000-01667	1
3.	BOLT 3/8 UNC X 1 3/8	270-00589	12
4.	SPRING WASHER 3/8	027-00393	12
5.	PLAIN WASHER 3/8	027-00184	12

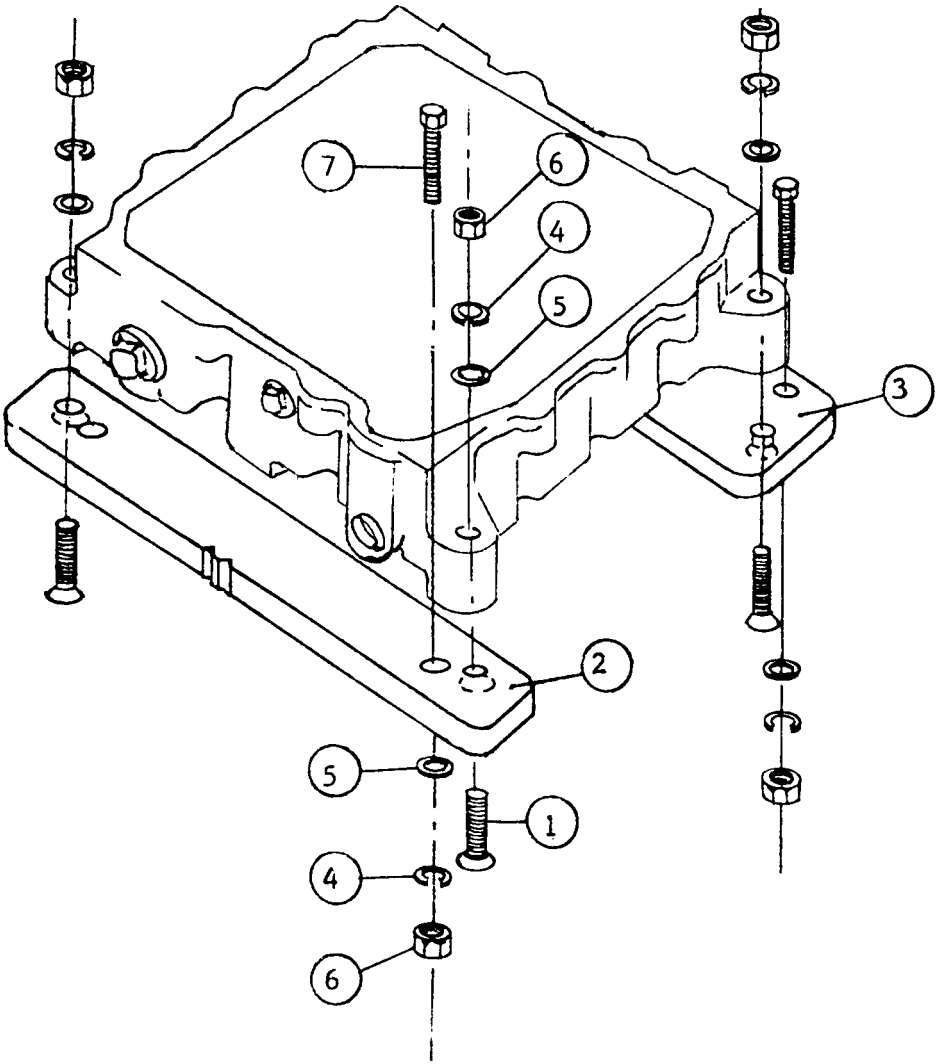


WISCONSIN ADAPTOR - 7 7/8" PILOT, TX - T RANGE

TS/TR/SR INTERCHANGE

INTERCHANGE PLATES, TR/TS TO SR/ST 993-00075

	DESCRIPTION	PART NO.	QTY
1.	FLAT HEAD SCREWS	000-01802	6
2.	INTERCHANGE PLATE, FRONT	000-01812	1
3.	INTERCHANGE PLATE, REAR	000-01813	1
4.	SPRING WASHER 1/2	027-00394	8
5.	PLAIN WASHER 1/2	027-00698	8
6.	NUT 1/2 UNC	101-00614	8
7.	BOLT 1/2 UNC X 3	270-00616	2

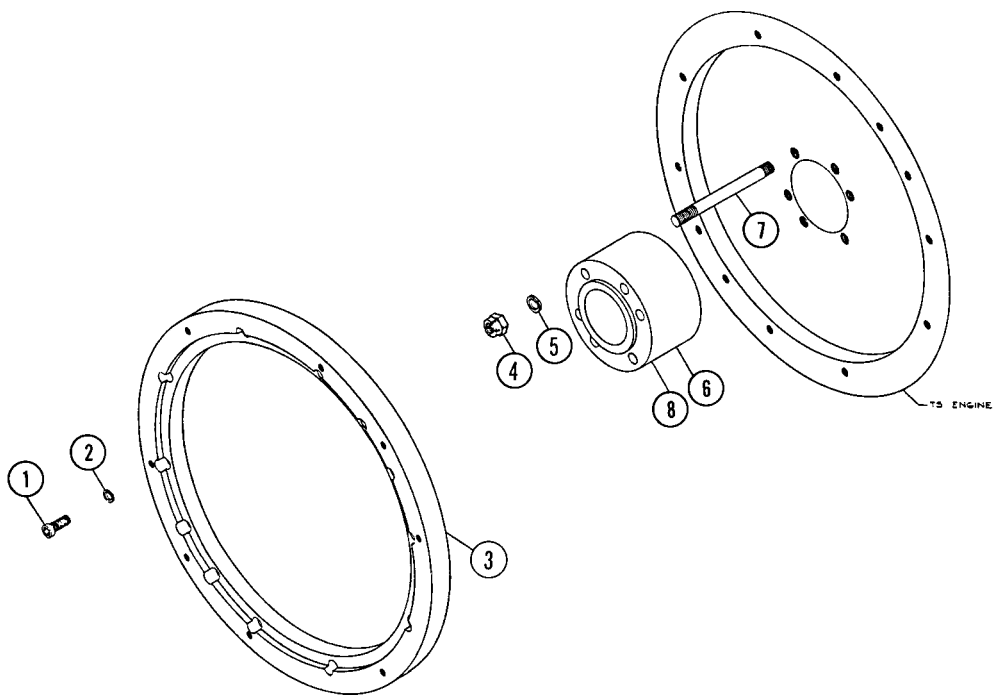


INTERCHANGE PLATES — FRONT & REAR — TS/R2/3 — ST2/3 — T RANGE

TS/TR/SR INTERCHANGE

ADAPTOR KIT, TR/TS TO ST 993-00052
ADAPTOR KIT, TR/TS TO SR 993-00121

	DESCRIPTION	PART NO.	QTY	
			TS/SR	TS/ST
1.	BOLT 3/8 UNC X 1	101-00611	12	12
2.	SPRING WASHER 3/8	000-01730	12	12
3.	ADAPTOR	000-01684	1	1
4.	NUT SELF LOCKING	272-00027	3	3
5.	SPRING WASHER M12	272-00073	3	3
6.	SPACER - TS/ST	000-01685	-	1
7.	STUD	000-01689	3	3
8.	SPACER - TS/SR	000-02468	1	-



ADAPTOR KIT - TS/SR/ST 2/3 - T RANGE

T RANGE CLUTCH & DRIVE MEMBER

6 1/2" OVERSIZE CLUTCH, TR/TS 993-00006

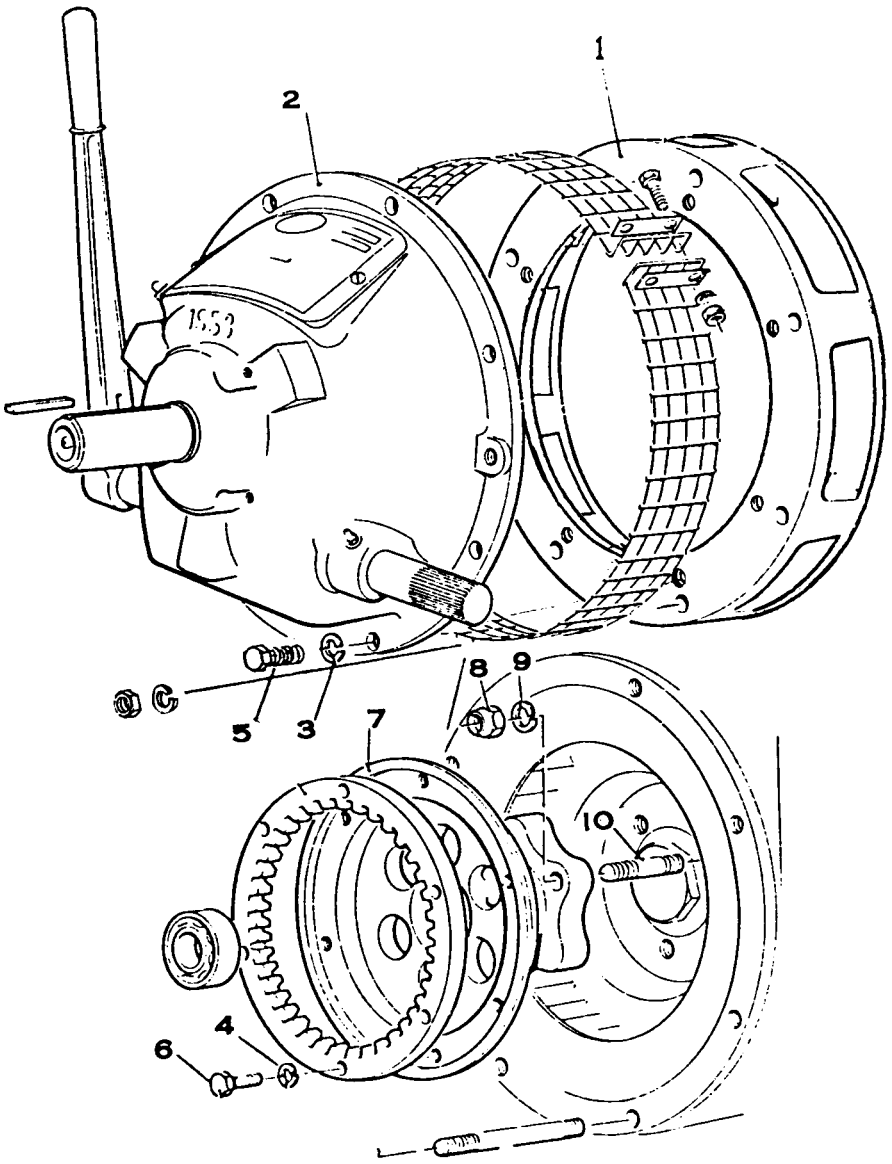
	DESCRIPTION	PART NO.	QTY
1.	ADAPTOR	570-31590	1
2.	CLUTCH	000-00060	1
3.	SPRING WASHER 3/8	027-00393	8
4.	SPRING WASHER 5/16	027-00413	6
5.	BOLT 3/8 UNC X 1	270-00288	8
6.	BOLT 5/16 UNC X 1 1/4	270-00620	6

C106 DRIVE MEMBER

	DESCRIPTION	PART NO.	QTY
7.	DRIVE MEMBER	000-01593	1
8.	NUT M12 SELF LOCKING	272-00027	3
9.	SPRING WASHER M12	272-00073	3
10.	STUD	272-00148	3

7 1/2" OVERSIZE CLUTCH, TR/TS 993-00007

	DESCRIPTION	PART NO.	QTY
1.	ADAPTOR	570-31590	1
2.	CLUTCH	000-01592	1
3.	SPRING WASHER 3/8	027-00393	8
4.	SPRING WASHER 5/16	027-00413	8
5.	BOLT 3/8 UNC X 1	270-00288	8
6.	BOLT 5/16 UNC X 1 1/4	270-00620	8
7.	DRIVE MEMBER		
8.	NUT M12 SELF LOCKING	570-31660	1
9.	SPRING WASHER M12		
10.	STUD		



OVERCENTER CLUTCH TS 2/3 — TR 2/3 — T RANGE

T RANGE CLUTCH & DRIVE MEMBER

9" AUTOMOTIVE CLUTCH, TR/TS 993-00009

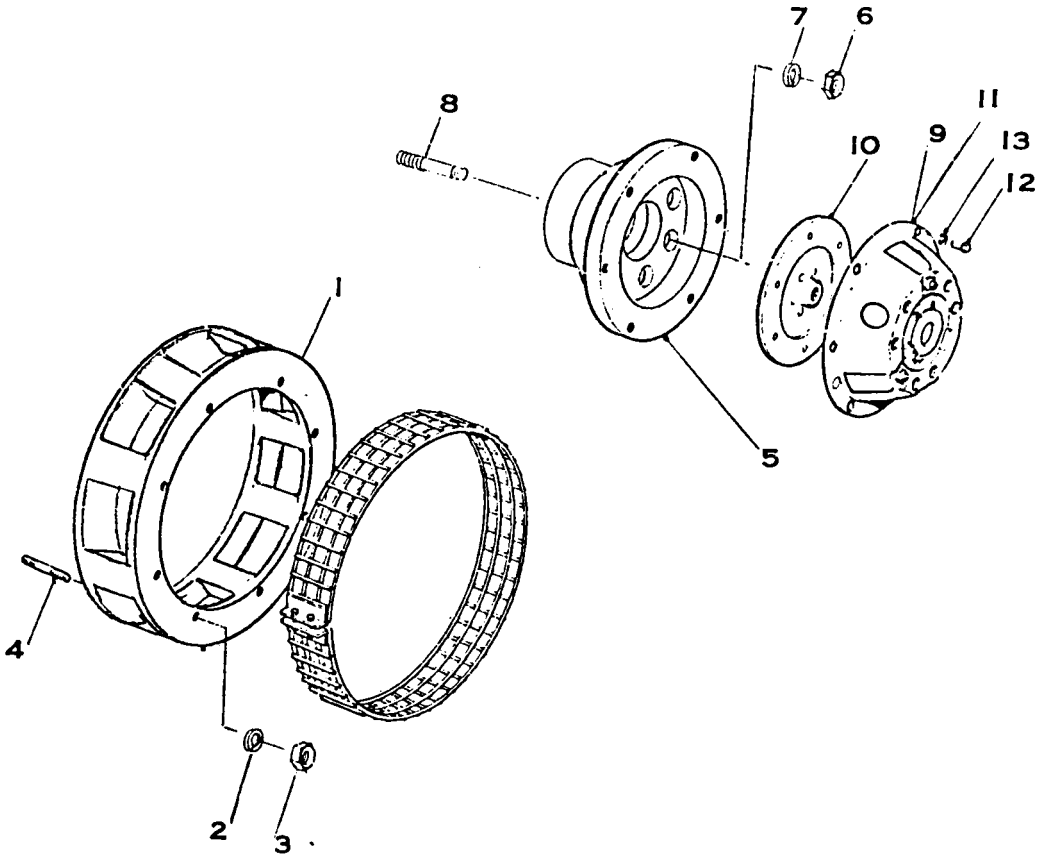
	DESCRIPTION	PART NO.	QTY
1.	ADAPTOR	570-31610	1
2.	SPRING WASHER 3/8	027-00393	12
3.	NUT 3/8 UNF	270-00004	12
4.	STUD	270-00596	12

9" AUTOMOTIVE DRIVE MEMBER

		993-00011	
5.	DRIVE MEMBER	000-01596	1
6.	NUT M12	272-00005	6
7.	SPRING WASHER M12	272-00073	6
8.	STUD	272-00101	6

9" CLUTCH ASSEMBLY

		998-00248	
9.	CLUTCH COVER	000-01482	1
10.	DRIVEN MEMBER	000-01483	1
11.	RELEASE ASSEMBLY	000-01484	1
12.	BOLT, SPECIAL	000-01485	6
13.	SPRING WASHER 5/16	027-00413	6



CLUTCH-9" AUTOMOTIVE TS 2/3 - TR 2/3 - T RANGE

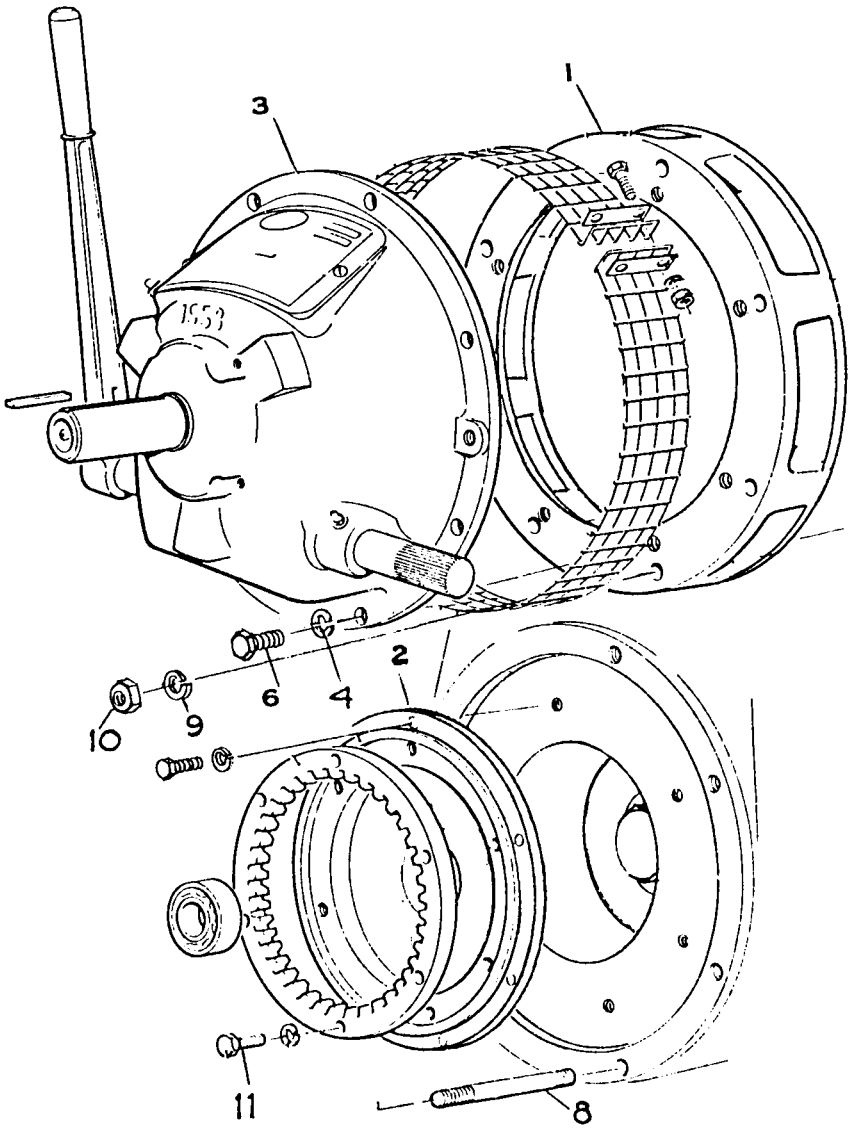
T RANGE CLUTCH & DRIVE MEMBER

C107 OVERCENTER CLUTCH, TX 993-00016

	DESCRIPTION	PART NO.	QTY
1.	ADAPTOR	570-31590	1
2.	DRIVE MEMBER	570-33390	1
3.	CLUTCH	000-01592	1
4.	SPRING WASHER 3/8	027-00393	8
5.	SPRING WASHER 5/16	027-00413	8
6.	BOLT 3/8 UNC X 1	270-00288	8
7.	BOLT 5/16 UNC X 1 1/4	270-00620	8

C108 OVERCENTER CLUTCH, TX 993-00163

	DESCRIPTION	PART NO.	QTY
1.	ADAPTOR	570-31610	1
2.	DRIVE MEMBER	570-36610	1
3.	CLUTCH	000-01269	1
8.	STUD	270-00596	12
9.	SPRING WASHER 3/8	027-00393	18
10.	NUT 3/8 UNF	270-00004	12
11.	BOLT, 3/8 UNF X 1 1/4	270-00074	6

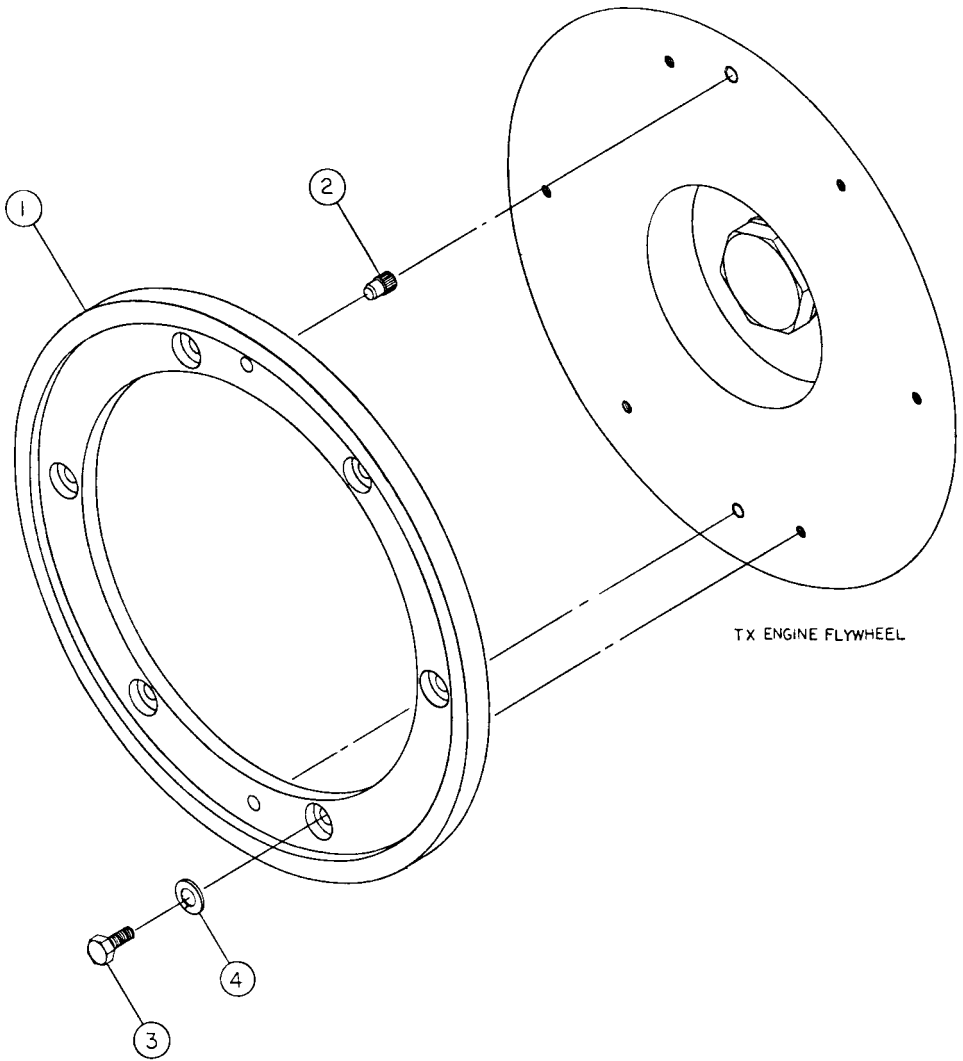


C107, C108 OVERCENTER CLUTCH — T RANGE

T RANGE DRIVE ADAPTOR

10" DRIVE ADAPTOR, TX 993-00236

	DESCRIPTION	PART NO.	QTY
1.	ADAPTOR	000-04066	1
2.	DOWEL PIN	202-33590	2
3.	BOLT M8 X 16	272-00038	6
4.	SPRING WASHER M8	272-00071	6



10" DRIVE ADAPTOR — T RANGE

T RANGE FLYWHEEL END SHAFT EXTENSION

EXTENSION SHAFT HARDWARE KIT 993-00023

	DESCRIPTION	PART NO.	QTY
3.	NUT M12 SELF LOCKING	272-00027	6
4.	STUD M12 X 55	272-00289	6
5.	SPRING WASHER M12	272-00073	6

THE FOLLOWING SHAFT EXTENSION KITS INCLUDE SHAFT HARDWARE #993-00023

EXTENSION SHAFT, 1½" DIA. 993-00024

	DESCRIPTION	PART NO.	QTY
1.	EXTENSION SHAFT	000-00306	1

EXTENSION SHAFT, 1½" DIA., LONG. 993-00025

	DESCRIPTION	PART NO.	QTY
1.	EXTENSION SHAFT	000-00307	1

EXTENSION SHAFT 1 7/16" DIA. 993-00026

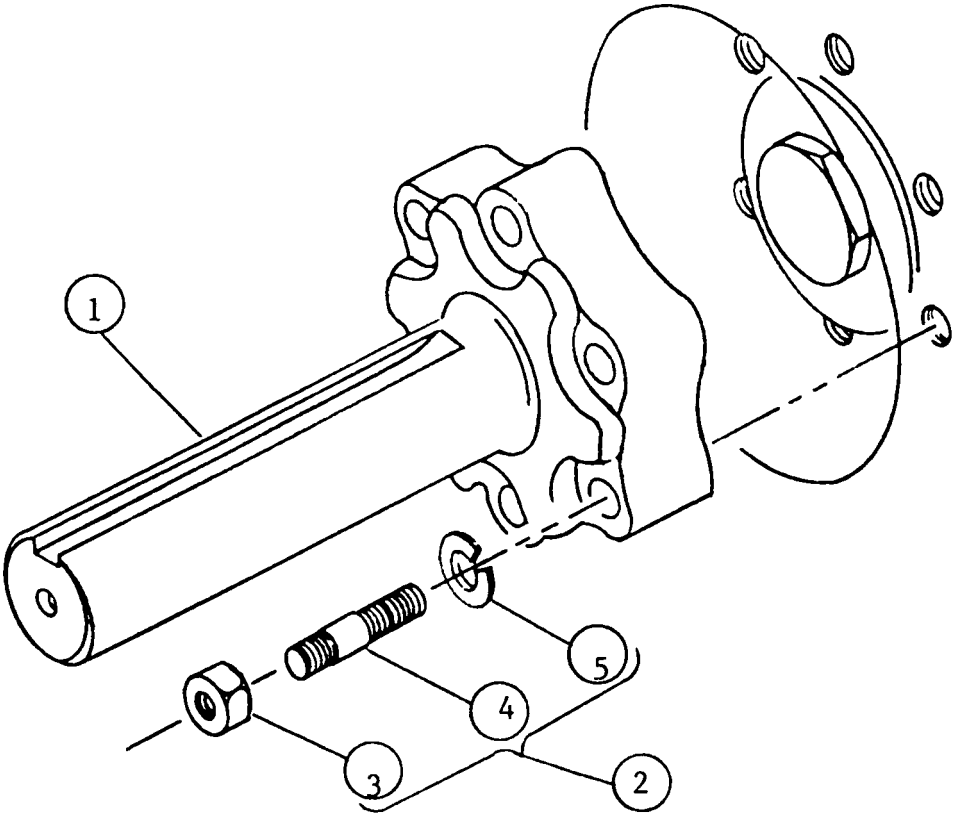
	DESCRIPTION	PART NO.	QTY
1.	EXTENSION SHAFT	000-00732	1

EXTENSION SHAFT, SEMI-FINISHED 993-00027

	DESCRIPTION	PART NO.	QTY
1.	EXTENSION SHAFT	000-00623	1

EXTENSION SHAFT, 1 7/8" DIA., TAPERED 993-00166

	DESCRIPTION	PART NO.	QTY
1.	EXTENSION SHAFT	000-01511	1

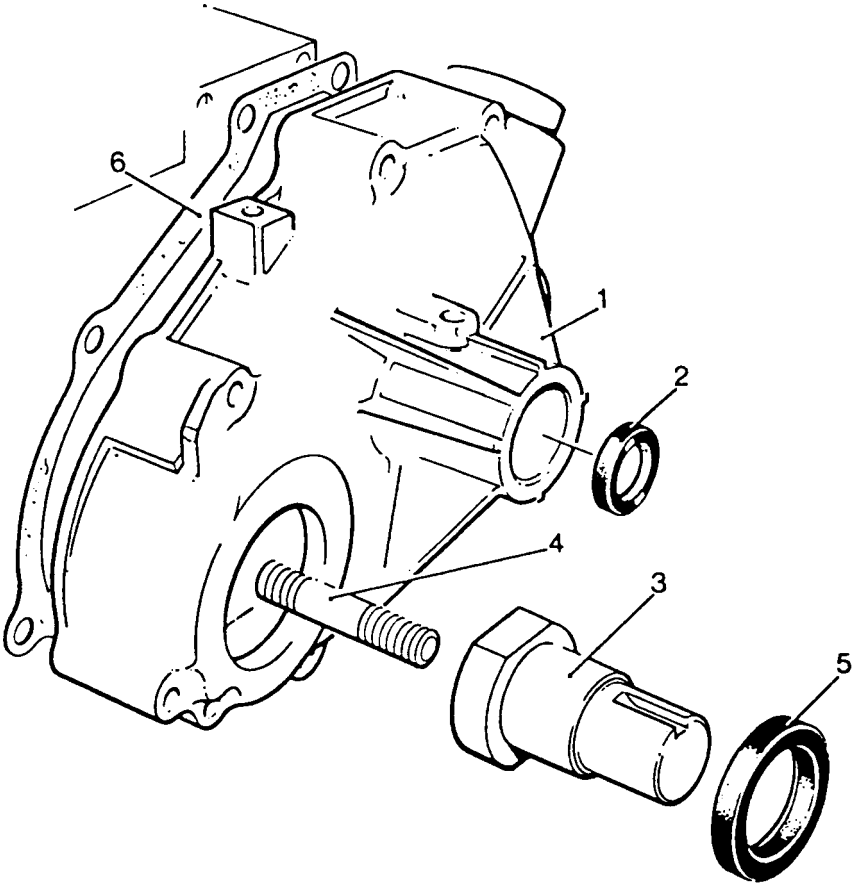


CRANKSHAFT EXTENSION — FLYWHEEL END — T RANGE

T RANGE GEAR END P.T.O.

GEAR END SHAFT, 1 7/16" DIA., TR/TS 993-00042

	DESCRIPTION	PART NO.	QTY
1.	END COVER	201-33850	1
2.	OIL SEAL	601-39550	1
3.	SHAFT EXTENSION	000-02133	1
4.	STUD	202-35430	1
5.	OIL SEAL	201-30690	1
6.	GASKET	201-33013	1
7.	(NOT SHOWN) ASSEMBLY INSTRUCTION)	993A10042	1

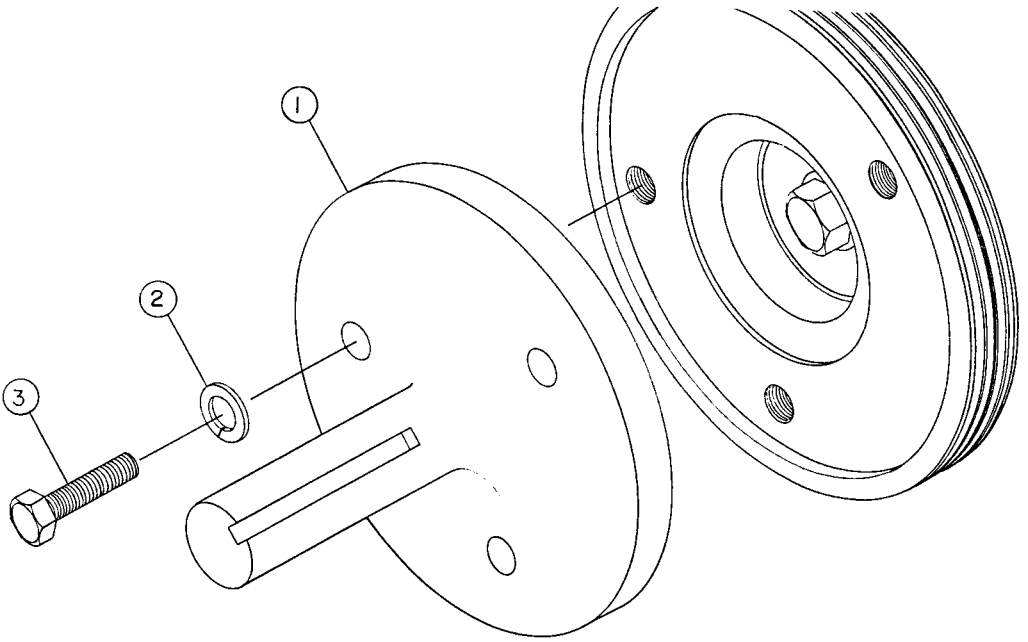


CRANKSHAFT EXTENSION — GEAR END — T RANGE

T RANGE GEAR END P.T.O.

GEAR END SHAFT, 1" DIA., TR/TS 993-00231

	DESCRIPTION	PART NO.	QTY
1.	SHAFT EXTENSION	000-04022	1
2.	SPRING WASHER M10	272-00072	3
3.	BOLT M10 X 30	272-00080	3

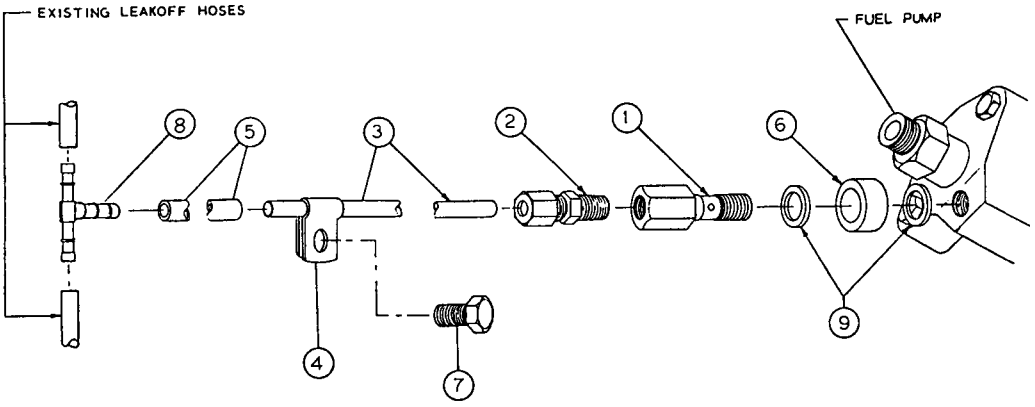


TX GEAR END SHAFT EXTENSION - T RANGE

T RANGE FUEL EQUIPMENT

SELF BLEED FUEL SYSTEM, TR/TS 993-00223

	DESCRIPTION	PART NO.	QTY
1.	ADAPTOR	000-00731	1
2.	COMPRESSION CONNECTOR	000-01828	1
3.	COPPER TUBE	000-03141	1
4.	CLIP	000-03219	1
5.	HOSE	000-04028	1
6.	DISTANCE PIECE	024-05394	1
7.	BOLT M6 X 12	272-00032	1
8.	TEE PIECE	751-13100	1
9.	COPPER WASHER	616-01608	2

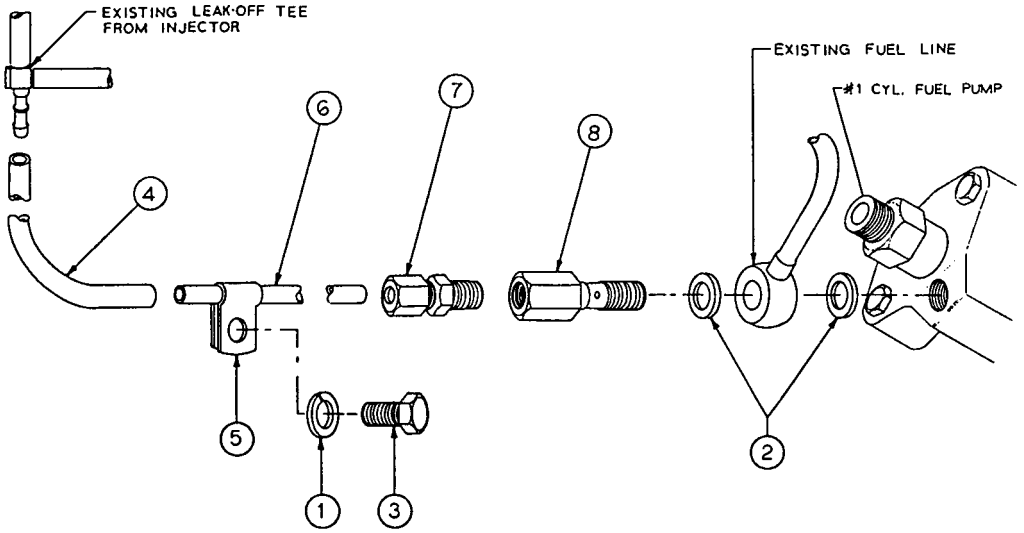


SELF-BLEED FUEL SYSTEM - T RANGE

T RANGE FUEL EQUIPMENT

SELF BLEED FUEL SYSTEM, TR/S2/3 993-00151

	DESCRIPTION	PART NO.	QTY
1.	SPRING WASHER M6	786004	1
2.	COPPER WASHER	616-01608	2
3.	BOLT M6 X 12	272-00032	1
4.	HOSE	000-04028	1
5.	CLIP	000-03219	1
6.	COPPER TUBE	000-03141	1
7.	COMPRESSION CONNECTOR	000-01828	1
8.	ADAPTOR	000-00731	1

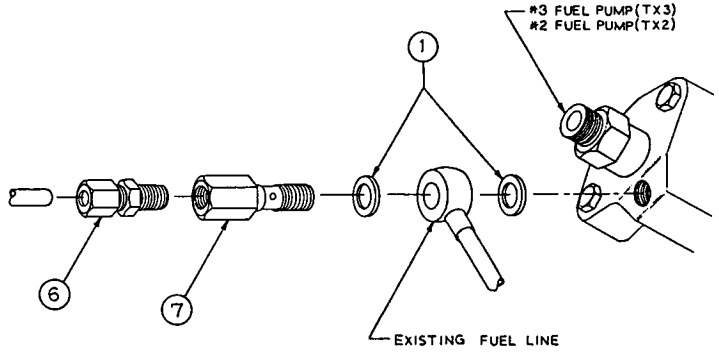
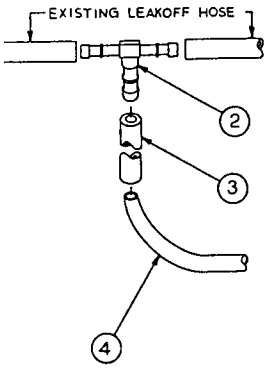


SELF-BLEED FUEL SYSTEM - T RANGE

T RANGE FUEL EQUIPMENT

SELF BLEED FUEL SYSTEM, TX 993-00167

	DESCRIPTION	PART NO.	QTY
1.	COPPER WASHER	616-01608	2
2.	TEE PIECE	751-13100	1
3.	HOSE	000-04464	1
4.	COPPER TUBE	000-03141	1
5.	(NOT SHOWN) WIRE TIE	000-02554	1
6.	COMPRESSION CONNECTOR	000-01828	1
7.	ADAPTOR	000-00731	1

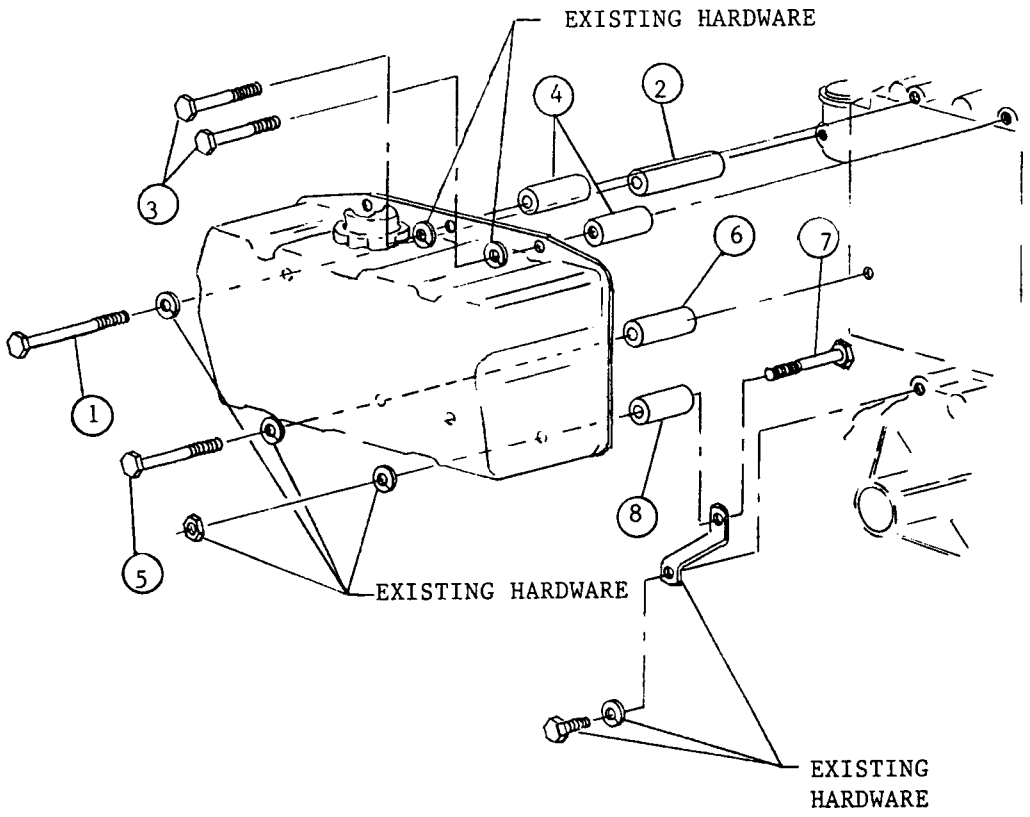


SELF-BLEED FUEL SYSTEM - T RANGE

T RANGE FUEL EQUIPMENT

FUEL TANK SPACER KIT, TR/TS..... 993-00089

	DESCRIPTION	PART NO.	QTY
1.	BOLT M8 X 75	272-00047	1
2.	DISTANCE PIECE 2 9/32" LONG	000-02502	1
3.	BOLT M8 X 60	272-00045	2
4.	DISTANCE PIECE, 1½" LONG	366-05440	2
5.	BOLT M8 X 65	272-00046	1
6.	DISTANCE PIECE 1 3/16" LONG	000-01850	1
7.	BOLT M8 X 50	272-00044	1
8.	DISTANCE PIECE, 1 3/8" LONG	000-00902	1



FUEL TANK SPACER KIT TR/S1/2/3 - T RANGE

T RANGE FUEL EQUIPMENT

FUEL FILTER ADAPTOR, 1/4 NPT 993-00028

	DESCRIPTION	PART NO.	QTY
1.	ADAPTOR, 1/4 NPT	000-01638	1
2.	COPPER WASHER	013-22350	1

FUEL INLET ADAPTOR & LEAKOFF FITTING, 1/4 NPT 993-00099

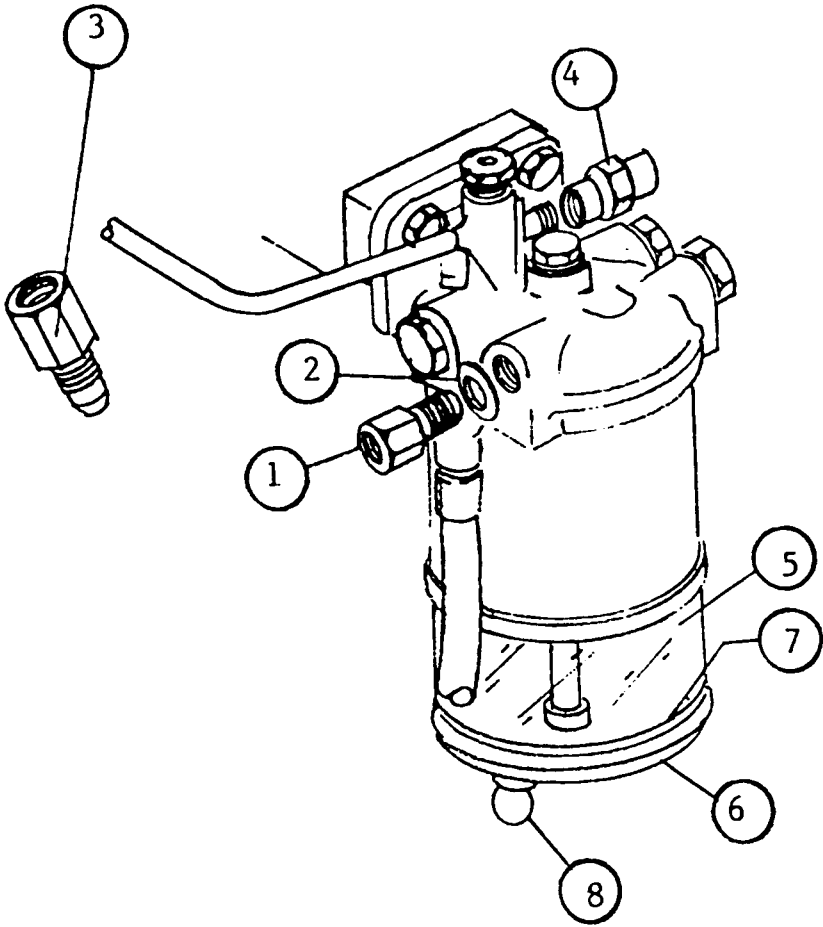
	DESCRIPTION	PART NO.	QTY
3.	ADAPTOR, 1/8 NPT	000-00568	1
4.	LEAK OFF FITTING, 1/8 NPT	000-01931	1

FUEL AGGLOMERATOR, TR/TS 993-00005

	DESCRIPTION	PART NO.	QTY
5.	GLASS BOWL	000-00735	1
6.	BASE	000-00736	1
7.	SEALING RING	000-00737	1
8.	BLEED SCREW	000-01909	1

ELECTRIC FUEL PUMPS (NOT SHOWN)

DESCRIPTION	PART NO.
AUTOMOTIVE STYLE	000-04996
"ARROWBOARD" STYLE	000-01366

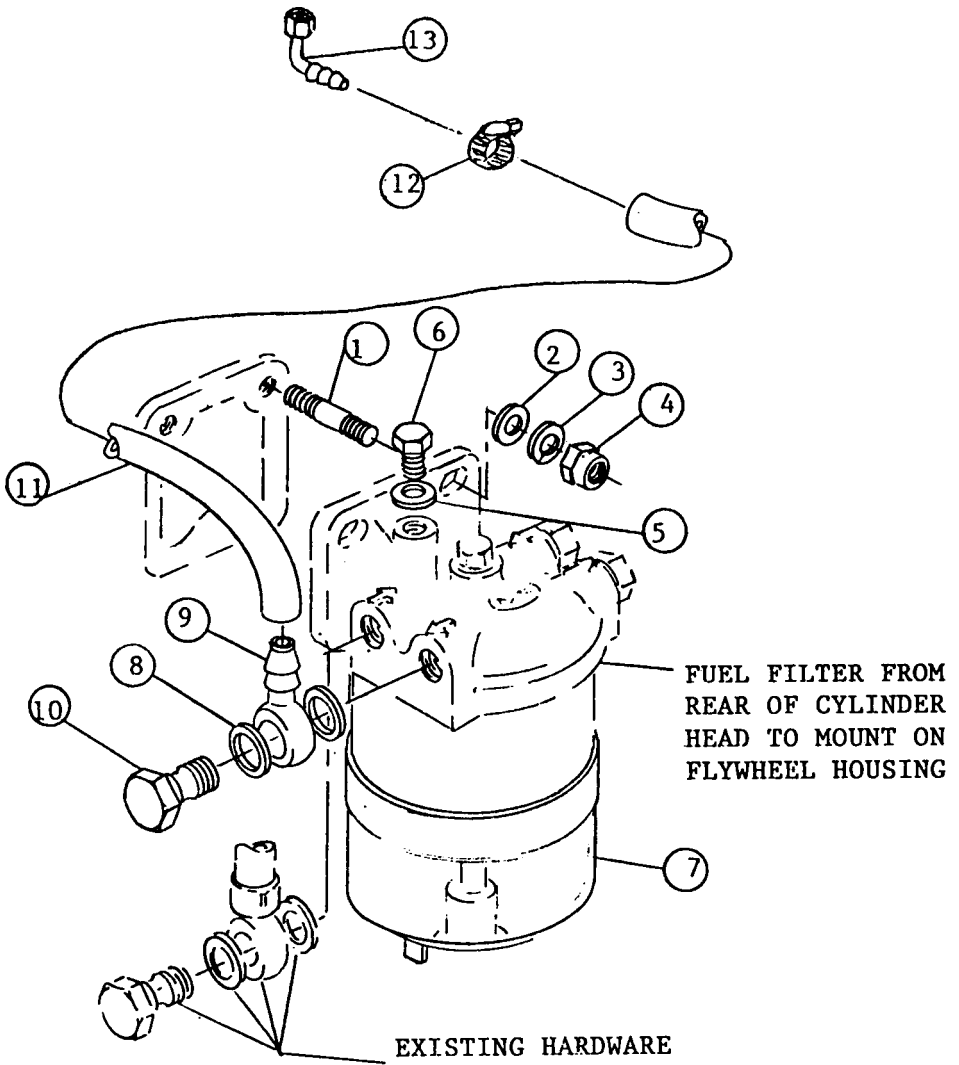


**FUEL FILTER ADAPTOR —
FUEL PUMP LEAK OFF & FILTER AGGLOMERATOR — T RANGE**

T RANGE FUEL EQUIPMENT

AGGLOMERATOR WITH FUEL TANK, TR/S2/3 993-00070

	DESCRIPTION	PART NO.	QTY
1	STUD	272-00147	2
2.	PLAIN WASHER 3/8	027-00229	2
3.	SPRING WASHER M10	272-00072	2
4.	NUT M10	272-00012	2
5.	JOINT	354-26310	1
6.	PLUG	352-28740	1
7.	AGGLOMERATOR KIT	993-00005	1
8.	COPPER WASHER	201-41640	2
9.	BANJO FITTING	000-04630	1
10.	SCREW	354-28380	1
11.	HOSE 1/4	000-02482	3 FT.
12.	HOSE CLAMP	000-04462	2
13.	BSP SWIVEL	000-04631	1
14.	(NOT SHOWN) WIRE TIE	000-02554	4

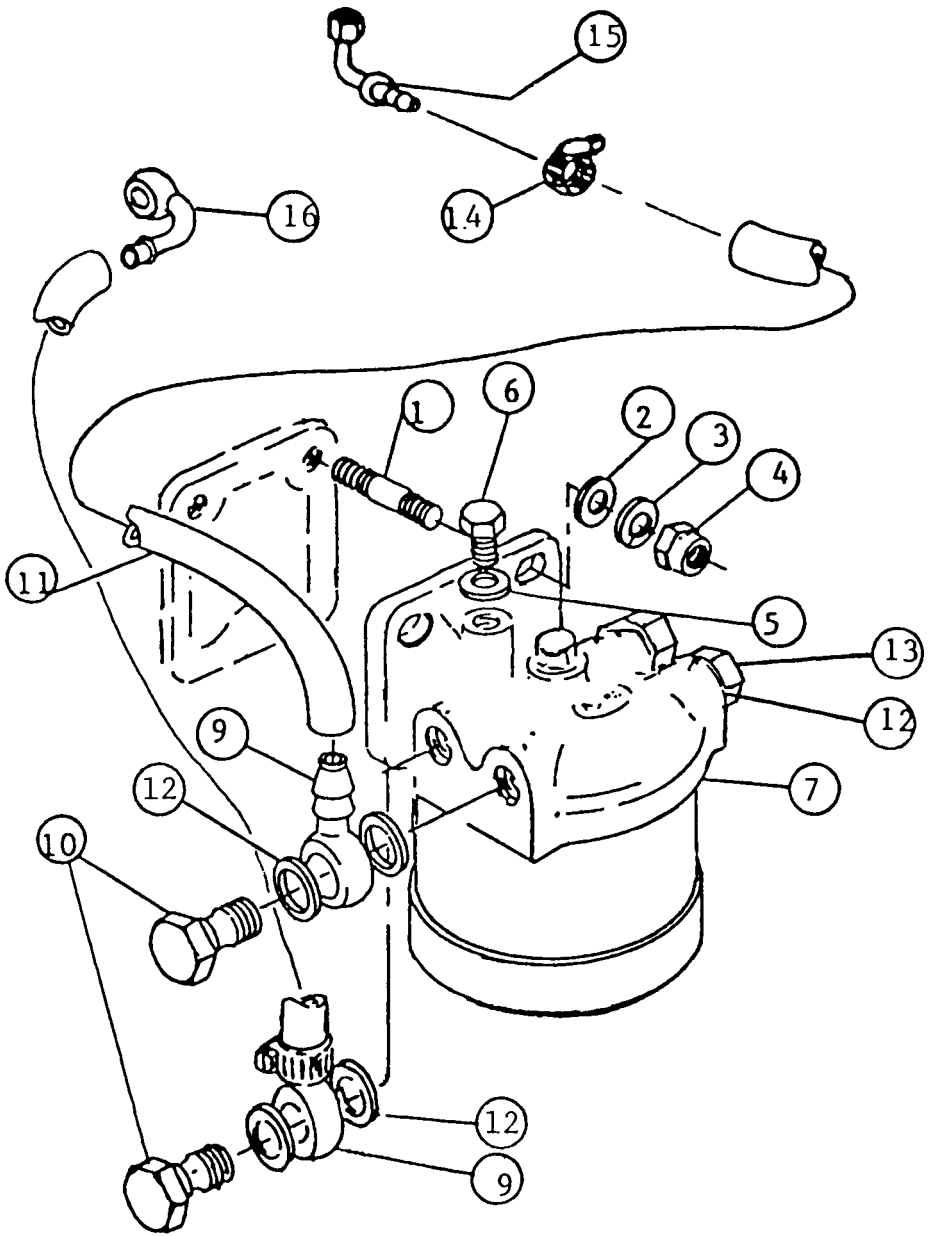


AGGLOMERATOR WITH FUEL TANK, TR/S2/3 — T RANGE

T RANGE FUEL EQUIPMENT

FUEL FILTER FOR USE WITH ENGINE-MOUNTED TANK AND
BELT-DRIVEN ALTERNATOR, TR/S1 993-00262

	DESCRIPTION	PART NO.	QTY
1.	STUD	272-00147	2
2.	PLAIN WASHER 3/8	027-00229	2
3.	SPRING WASHER M10	272-00072	2
4.	NUT M10	272-00012	2
5.	JOINT	354-26310	1
6.	PLUG	352-28740	1
7.	FUEL FILTER	354-28360	1
9.	BANJO FITTING	000-04630	2
10.	SCREW	354-28380	2
11.	FUEL HOSE 1/4	000-02482	3 FT.
12.	COPPER WASHER	201-41640	6
13.	PLUG	354-28530	2
14.	HOSE CLAMP	000-04462	4
15.	BSP SWIVEL	000-04631	1
16.	EXISTING BANJO FITTING INTO FUEL INJECTION PUMP. REMOVE EXISTING HOSE AND CONNECT HOSE FROM KIT.		

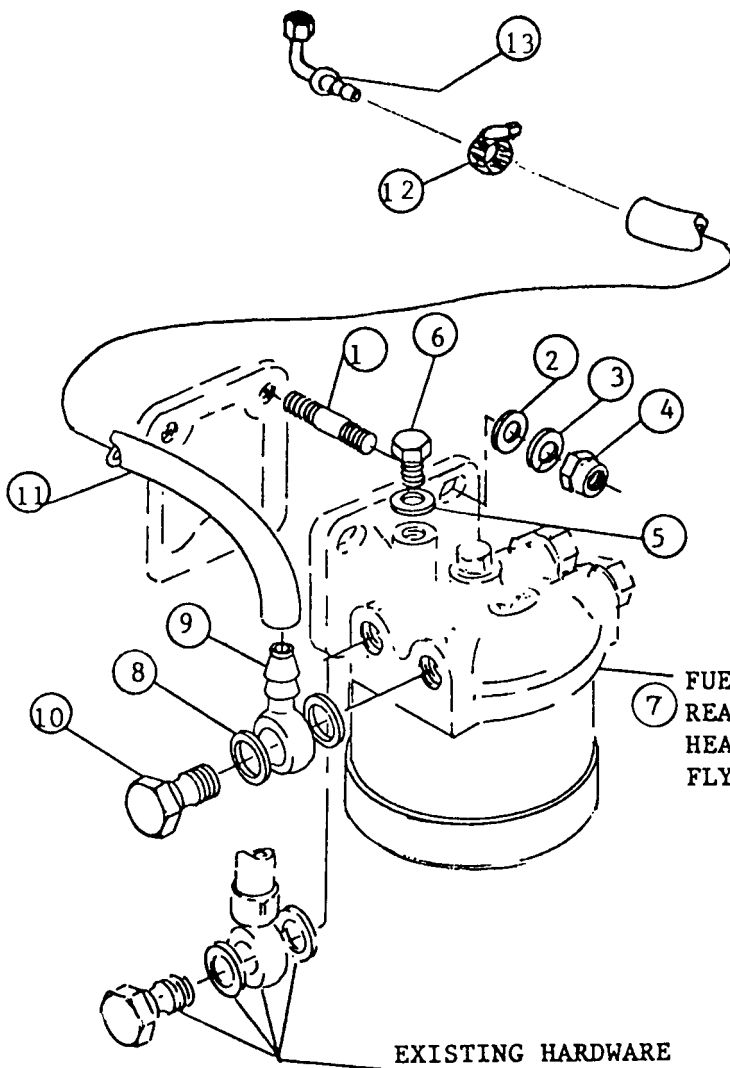


**FUEL FILTER FOR USE WITH ENGINE-MOUNTED TANK
AND BELT-DRIVEN ALTERNATOR, TR/S1 — T RANGE**

T RANGE FUEL EQUIPMENT

FUEL FILTER FOR USE WITH ENGINE-MOUNTED TANK AND
BELT-DRIVEN ALTERNATOR, TR/S2/3 993-00263

	DESCRIPTION	PART NO.	QTY
1.	STUD	272-00147	2
2.	PLAIN WASHER 3/8	027-00229	2
3.	SPRING WASHER M10	272-00072	2
4.	NUT M10	272-00012	2
5.	JOINT	354-26310	1
6.	PLUG	352-28740	1
7.	EXISTING FUEL FILTER		
8.	COPPER WASHER	201-41640	2
9.	BANJO FITTING	000-04630	1
10.	SCREW	354-28380	1
11.	HOSE ¼	000-02482	3 FT.
12.	HOSE CLAMP	000-04462	2
13.	BSP SWIVEL	000-04631	1
14.	(NOT SHOWN) WIRE TIE	000-02554	1



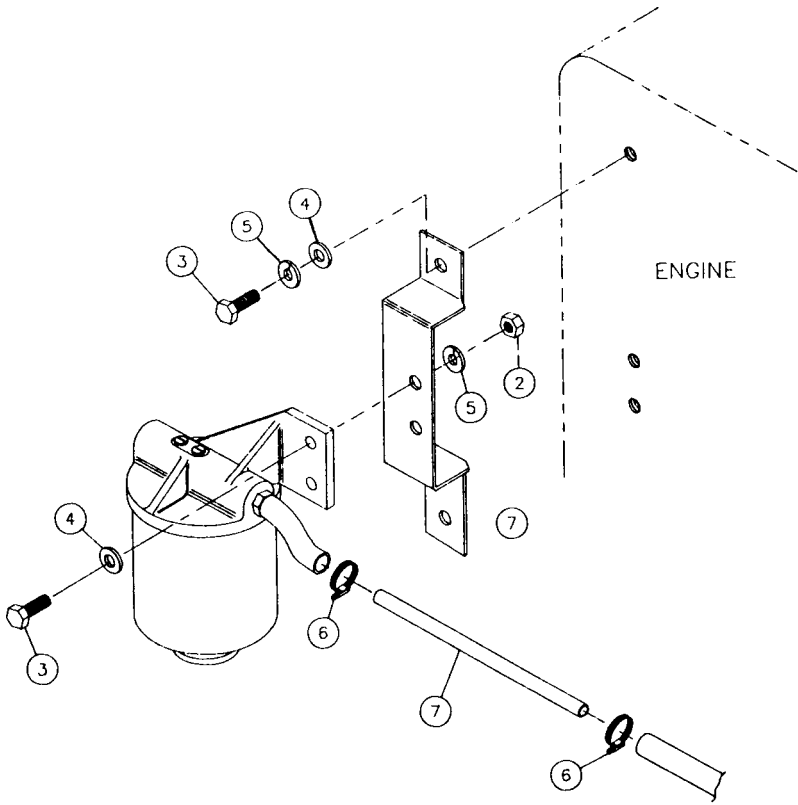
FUEL FILTER FROM
REAR OF CYLINDER
HEAD TO MOUNT ON
FLYWHEEL HOUSING

FUEL FILTER FOR USE WITH ENGINE-MOUNTED TANK
AND BELT-DRIVEN ALTERNATOR, TR/S2/3 — T RANGE

T RANGE FUEL EQUIPMENT

FILTER MTG. FOR USE WITH ALTERNATOR , TR/S1 993-00265

	DESCRIPTION	PART NO.	QTY
1.	BRACKET	000-04581	1
2.	NUT M6	272-00002	2
3.	BOLT M6 X 16	272-00034	5
4.	PLAIN WASHER M6	272-00364	5
5.	SPRING WASHER M6	786004	5
6.	HOSE CLAMP	000-04462	2
7.	PIPE EXTENSION	000-05413	1

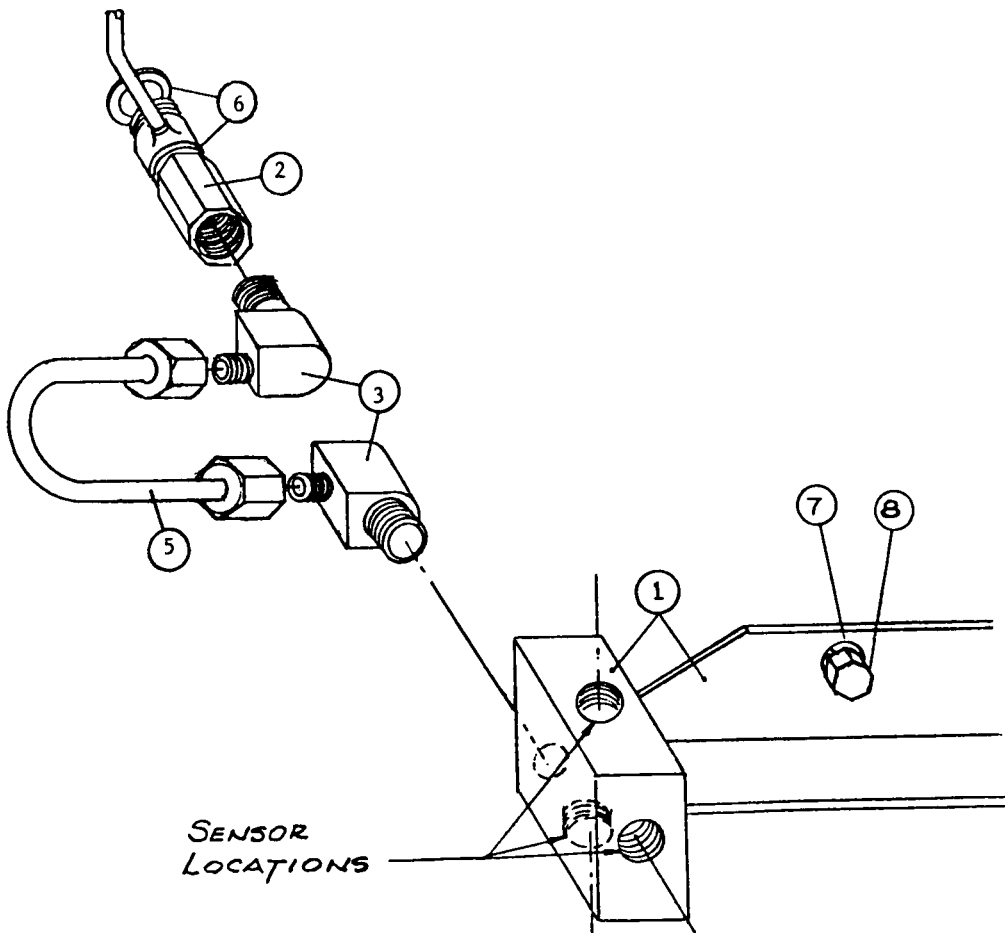


FILTER MTG. FOR USE WITH ALTERNATOR, TR/S1 — T RANGE

T RANGE LUBRICATION EQUIPMENT

LUBE OIL PRESSURE GALLERY KIT 993-00091

	DESCRIPTION	PART NO.	QTY
1	OIL GALLERY	000-00595	1
2.	ADAPTOR	000-00731	1
3.	ELBOW, PIPE TO TUBE	000-01800	2
5.	COPPER TUBE	000-03141	1
6.	COPPER WASHER	616-01608	2
7.	BOLT M10 X 25	272-00067	2
8.	SPRING WASHER M10	272-00072	2

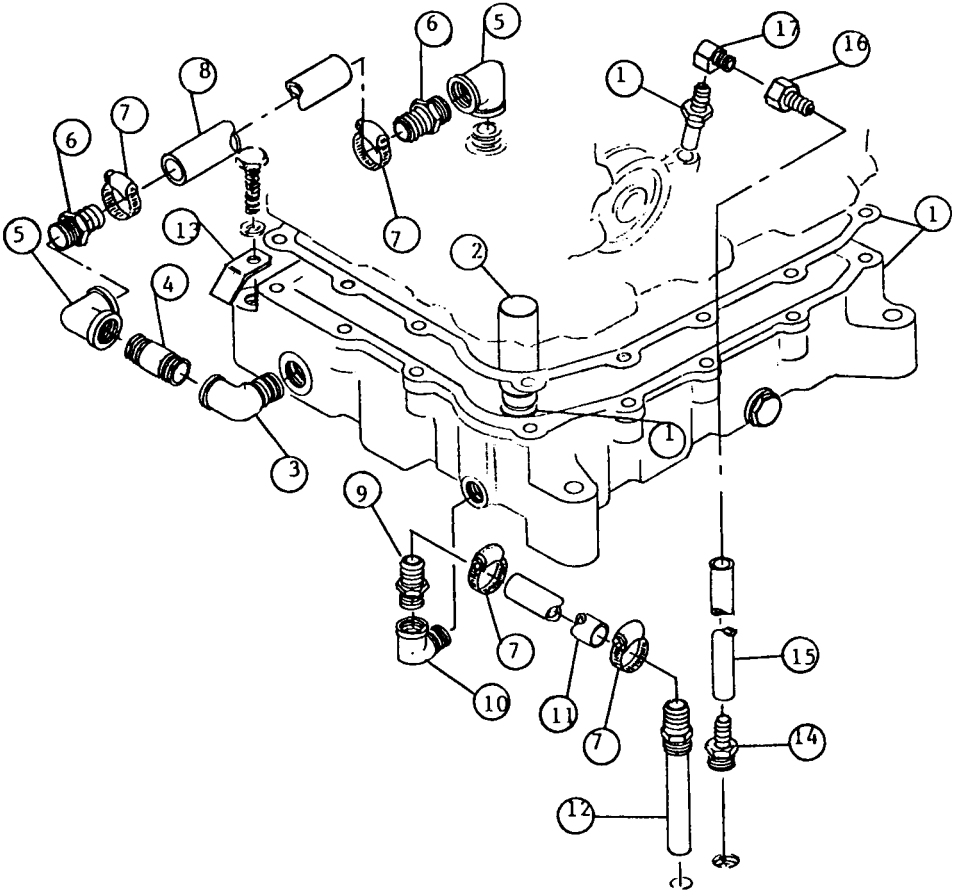


LUBE OIL PRESSURE GALLERY KIT — T RANGE

T RANGE LUBRICATION EQUIPMENT

TX3 DRY SUMP KIT 993-00181

	DESCRIPTION	PART NO.	QTY
1.	DRY SUMP KIT	570-32150	1
	INCLUDES		
	SUMP	366-07077	
	SUMP GASKET	203-30542	
	OIL PUMP O-RING	366-07720	
	VENT PIPE ADAPTOR	027-04569	
2.	OIL PUMP CYLINDER	000-03454	1
3.	3/4" STREET ELBOW	000-02425	1
4.	PIPE NIPPLE 3/4" X 2 1/2"	000-02591	1
5.	3/4" COUPLING ELBOW	000-01415	2
6.	HOSE BARB 3/4	000-02592	2
7.	HOSE CLAMP	027-04237	4
8.	HOSE, DRAIN BACK	000-02527	1
9.	1/2" STREET ELBOW	000-02525	1
10.	HOSE BARB 5/8"	000-03451	1
11.	HOSE, SUCTION	000-03450	1
12.	PICKUP TUBE	000-03452	1
13.	PIPE RETAINER	000-02599	1
14.	HOSE BARB 3/8"	000-02594	1
15.	HOSE, VENT	000-02596	1
16.	HOSE BARB 3/8"	000-02593	1
17.	1/4" STREET ELBOW	000-02173	1



TX3 DRY SUMP KIT — T RANGE

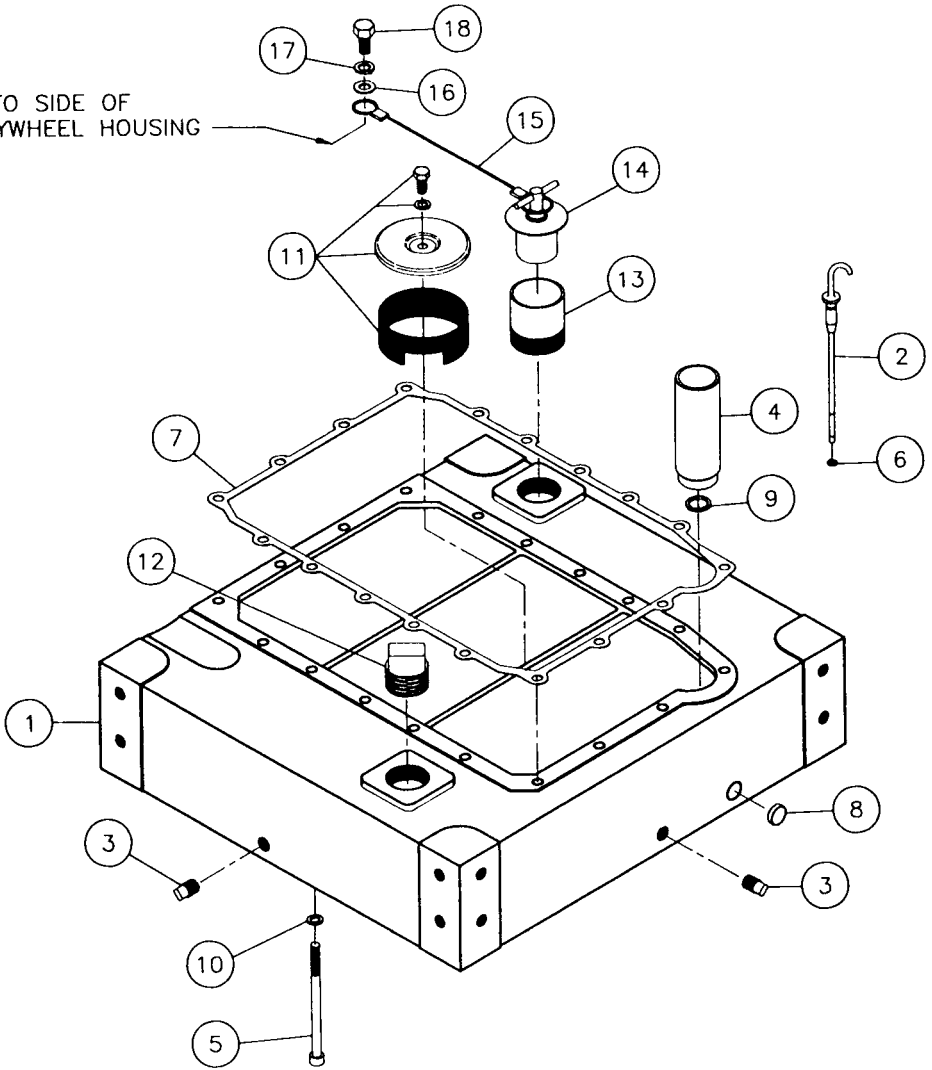
T RANGE LUBRICATION EQUIPMENT

TX3 DEEP SUMP KIT 993-00261
 TR/S3 DEEP SUMP KIT 993-00300

	DESCRIPTION	PART NO.	QTY	
			TR/S	TX
1.	SUMP	000-04505	1	1
2.	DIPSTICK	000-04530	1	1
3.	1/2" PIPE PLUG	000-02176	3	3
4.	OIL PUMP CYLINDER	000-03454	-	1
	OIL PUMP CYLINDER	602-20611	1	-
5.	SOC.HD. CAPSCREW M8 X 120	000-04565	18	18
6.	O-RING	201-13120	1	1
7.	SUMP GASKET	203-30542	1	1
8.	EXPANSION PLUG	351-41510	1	1
9.	O-RING	366-07720	1	1
10.	WASHER FROM EXISTING SUMP BOLT			
11.	STRAINER AND HARDWARE FROM EXISTING SUMP			
12.	1 1/2" PIPE PLUG	000-05347	2	2
13.	PIPE NIPPLE	000-05502	1	1
14.	FILLER CAP	000-05476	1	1
15.	RETAINER CABLE	000-05501	1	1
16.	PLAIN WASHER 3/8	389555	1	1
17.	SPRING WASHER M10	272-00072	1	1
18.	BOLT M10 X 20	272-00241	1	1

NOT SHOWN: ASSEMBLY INSTRUCTION 993A10261

INTO SIDE OF
FLYWHEEL HOUSING



TR/S/X3 DEEP SUMP — T RANGE

T RANGE HYDRAULIC EQUIPMENT

S.A.E. 'B', 13 TOOTH SPLINE, TR/S 993-00095

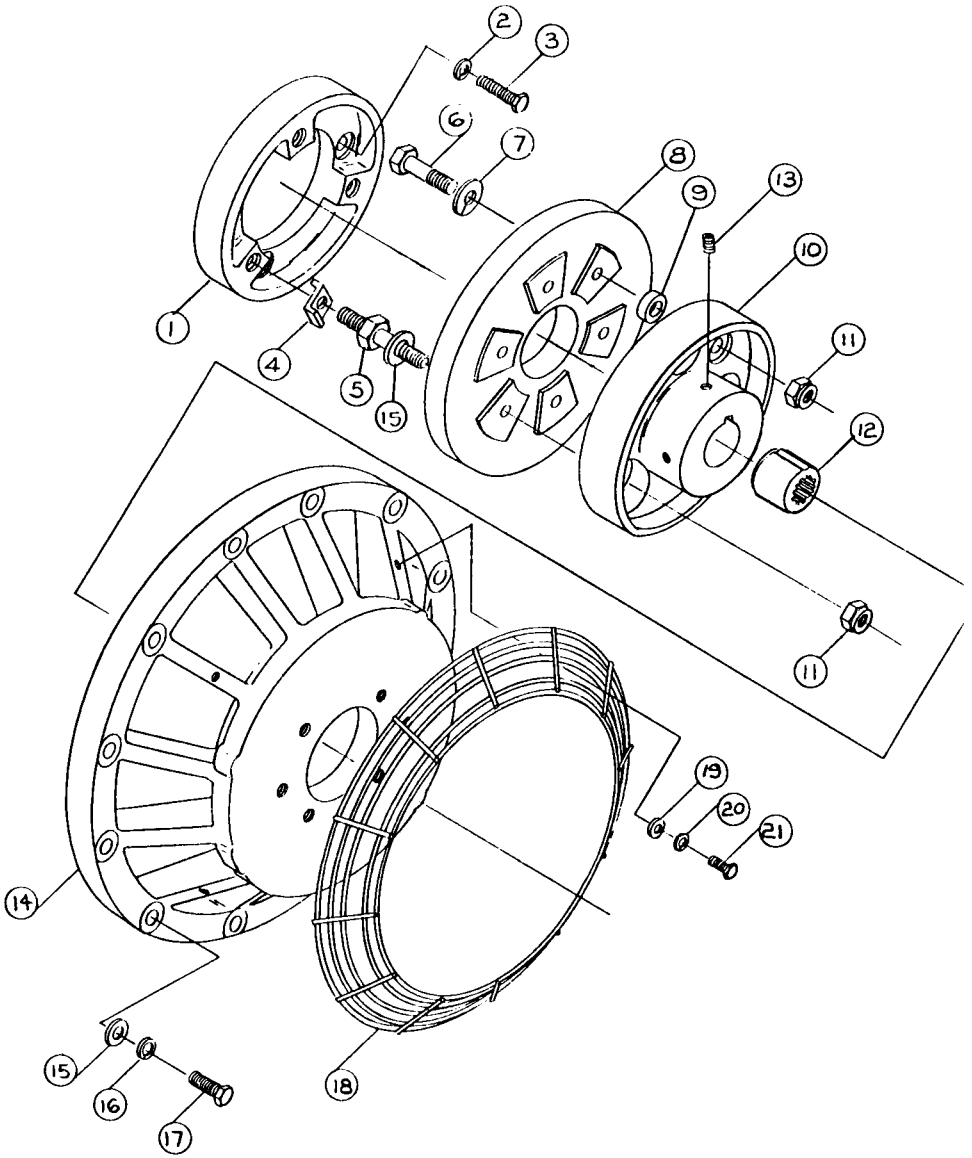
DESCRIPTION	PART NO.	QTY
12. SPLINED SLUG	000-01809	1
14. PUMP ADAPTOR	000-01760	1

S.A.E. 'B', 15 TOOTH SPLINE, TR/S 993-00096

DESCRIPTION	PART NO.	QTY
12. SPLINED SLUG	000-01808	1
14. PUMP ADAPTOR	000-01760	1

THE FOLLOWING PARTS ARE COMMON TO BOTH OF THE ABOVE KITS:

DESCRIPTION	PART NO.	QTY
1. COUPLING PLATE	000-03133	1
2. SPRING WASHER M12	270-00073	3
3. BOLT M12 X 40	272-00081	3
4. TAB WASHER	202-13170	3
5. STUD	203-12801	3
6. BOLT 3/8 UNF X 2	203-23430	3
7. SPRING DISC WASHER	202-24060	6
8. COUPLING DISC	203-82180	1
9. SPACER	201-13180	3
10. HALF COUPLING	000-00718	1
11. NUT 3/8 UNF SELF-LOCKING	270-00159	6
13. SETSCREW 1/4 UNF X 3/8	270-00211	2
15. PLAIN WASHER 3/8	027-00229	12
16. SPRING WASHER 3/8	027-00393	12
17. BOLT 3/8 UNC X 1 1/4	270-00349	12
18. ADAPTOR GUARD	000-01646	1
19. PLAIN WASHER 1/4	785631	4
20. SPRING WASHER 1/4	786078	4
21. BOLT 1/4 UNF X 1/2	270-00054	4



HYDRAULIC DRIVES — T RANGE

T RANGE HYDRAULIC DRIVE

S.A.E. 'A', 9 TOOTH SPLINE, TR/S 993-00097

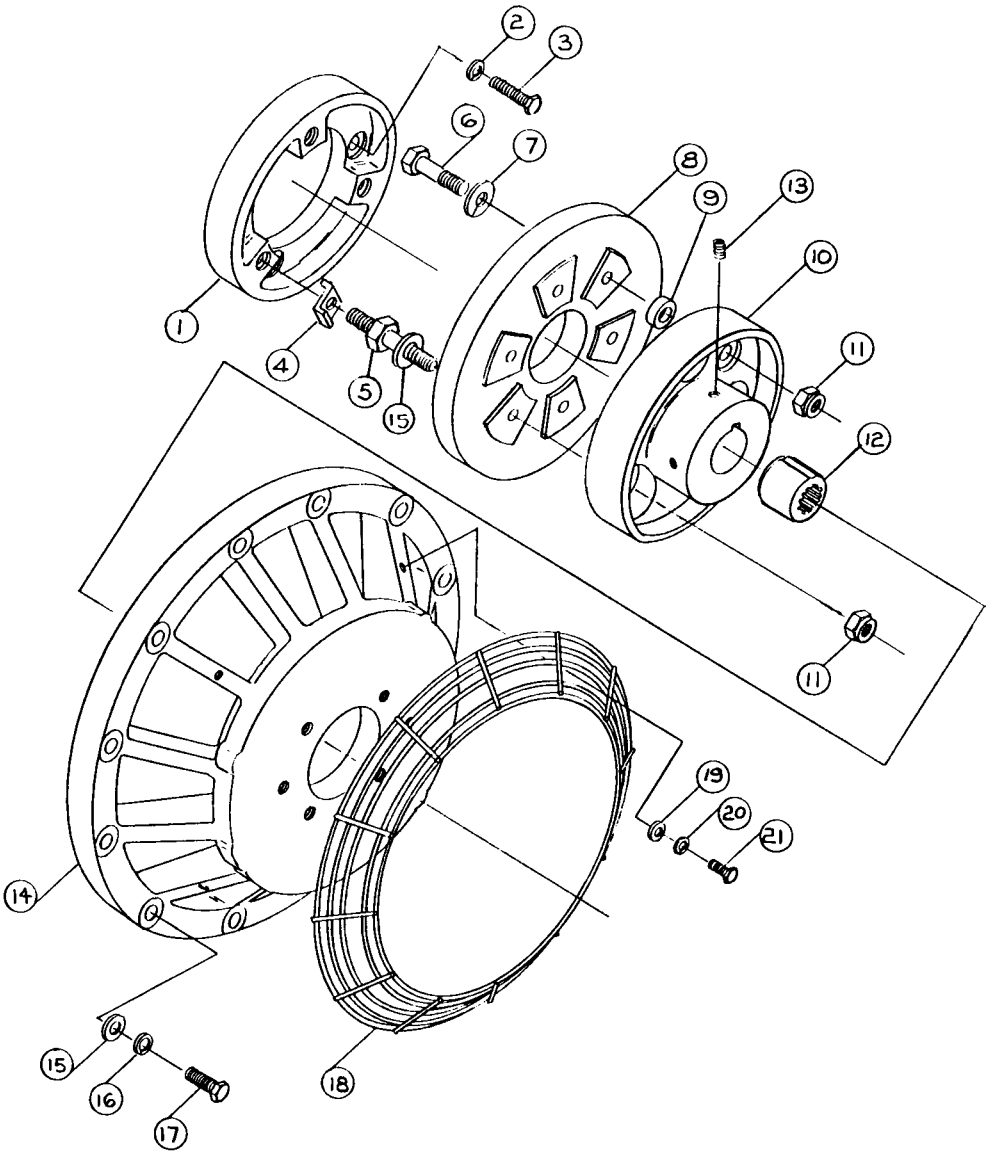
	DESCRIPTION	PART NO.	QTY
10.	HALF COUPLING	000-01929	1
12.	SPLINED SLUG	000-01810	1

S.A.E. 'A', 13 TOOTH SPLINE, TR/S 993-00098

	DESCRIPTION	PART NO.	QTY
10.	HALF COUPLING	000-00718	1
12.	SPLINED SLUG	000-01809	1

THE FOLLOWING PARTS ARE COMMON TO BOTH OF THE ABOVE KITS:

	DESCRIPTION	PART NO.	QTY
1.	COUPLING PLATE	000-03133	1
2.	SPRING WASHER M12	270-00073	3
3.	BOLT M12 X 40	272-00081	3
4.	TAB WASHER	202-13170	3
5.	STUD	203-12801	3
6.	BOLT 3/8 UNF X 2	203-23430	3
7.	SPRING DISC WASHER	202-24060	6
8.	COUPLING DISC	203-82180	1
9.	SPACER	201-13180	3
11.	NUT 3/8 UNF SELF-LOCKING	270-00159	6
13.	SETSCREW 1/4 UNF X 3/8	270-00211	2
14.	PUMP ADAPTOR	000-01759	1
15.	PLAIN WASHER 3/8	027-00229	15
16.	SPRING WASHER 3/8	027-00393	12
17.	BOLT 3/8 UNC X 1 1/4	270-00349	12
18.	ADAPTOR GUARD	000-01646	1
19.	PLAIN WASHER 1/4	785631	4
20.	SPRING WASHER 1/4	786078	4
21.	BOLT 1/4 UNF X 1/2	270-00054	4



HYDRAULIC DRIVES — T RANGE

T RANGE HYDRAULIC DRIVES

S.A.E. 'A', 5/8" SHAFT, TR/S 993-00063

	DESCRIPTION	PART NO.	QTY
2.	TAPER-LOCK BUSHING	000-01761	1
3.	ADAPTOR	000-01759	1

S.A.E. 'A', 11/16" SHAFT, TR/S 993-00105

	DESCRIPTION	PART NO.	QTY
2.	TAPER-LOCK BUSHING	000-02060	1
3.	ADAPTOR	000-01759	1

S.A.E. 'A', 3/4" SHAFT, TR/S 993-00101

	DESCRIPTION	PART NO.	QTY
2.	TAPER-LOCK BUSHING	000-01985	1
3.	ADAPTOR	000-01759	1

S.A.E. 'A', 7/8" SHAFT, TR/S 993-00217

	DESCRIPTION	PART NO.	QTY
2.	TAPER-LOCK BUSHING	000-01762	1
3.	ADAPTOR	000-01759	1

S.A.E. 'B', 3/4" SHAFT, TR/S 993-00149

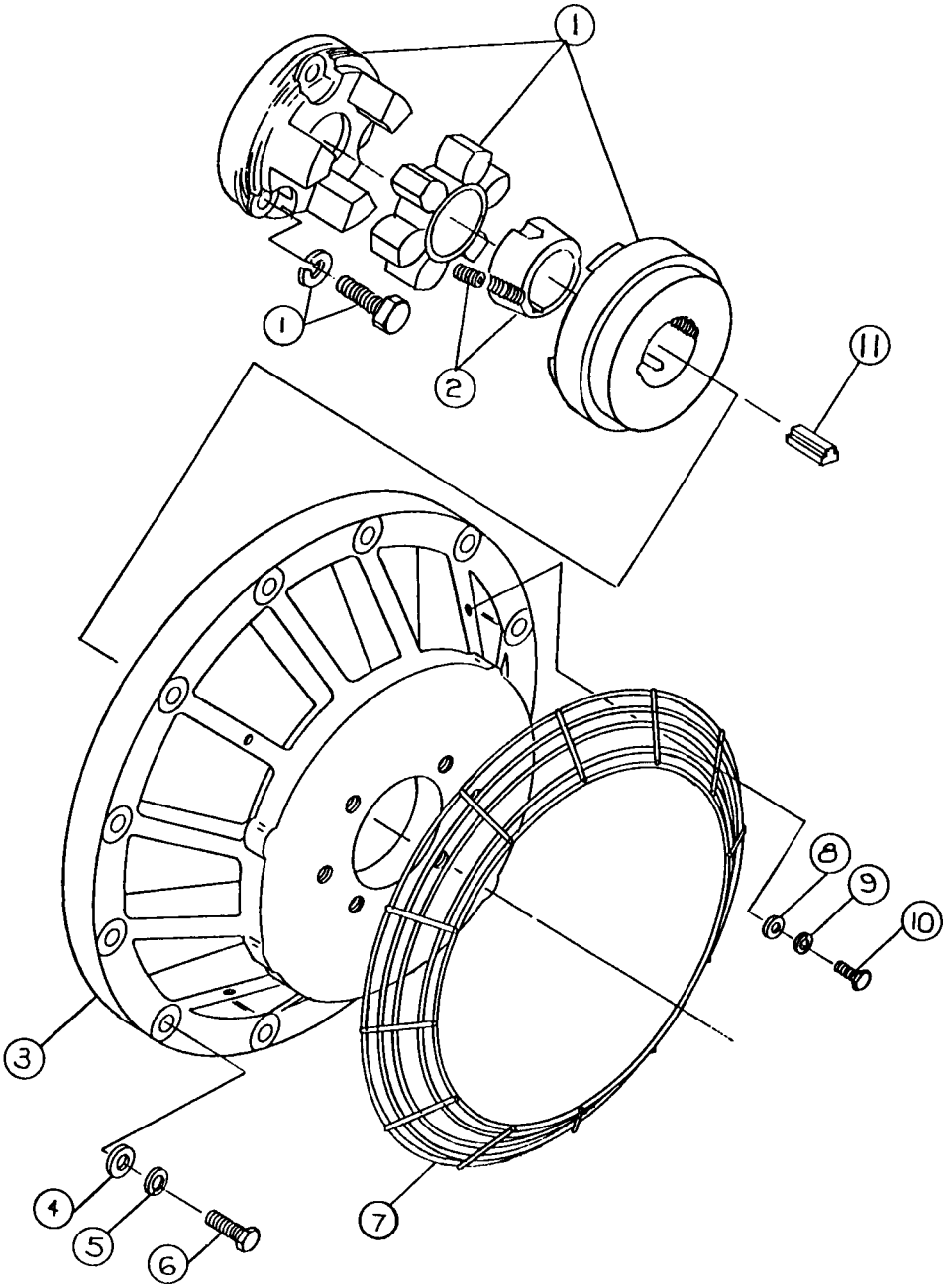
	DESCRIPTION	PART NO.	QTY
2.	TAPER-LOCK BUSHING	000-01985	1
3.	ADAPTOR	000-01760	1

S.A.E. 'B', 7/8" SHAFT, TR/S 993-00064

	DESCRIPTION	PART NO.	QTY
2.	TAPER-LOCK BUSHING	000-01762	1
3.	ADAPTOR	000-01760	1

S.A.E. 'C', 1 1/4" SHAFT, TR/S 993-00192

	DESCRIPTION	PART NO.	QTY
2.	TAPER-LOCK BUSHING	000-01764	1
3.	ADAPTOR	000-03556	1
11.	OFFSET KEY	000-03557	1



HYDRAULIC DRIVES — T RANGE

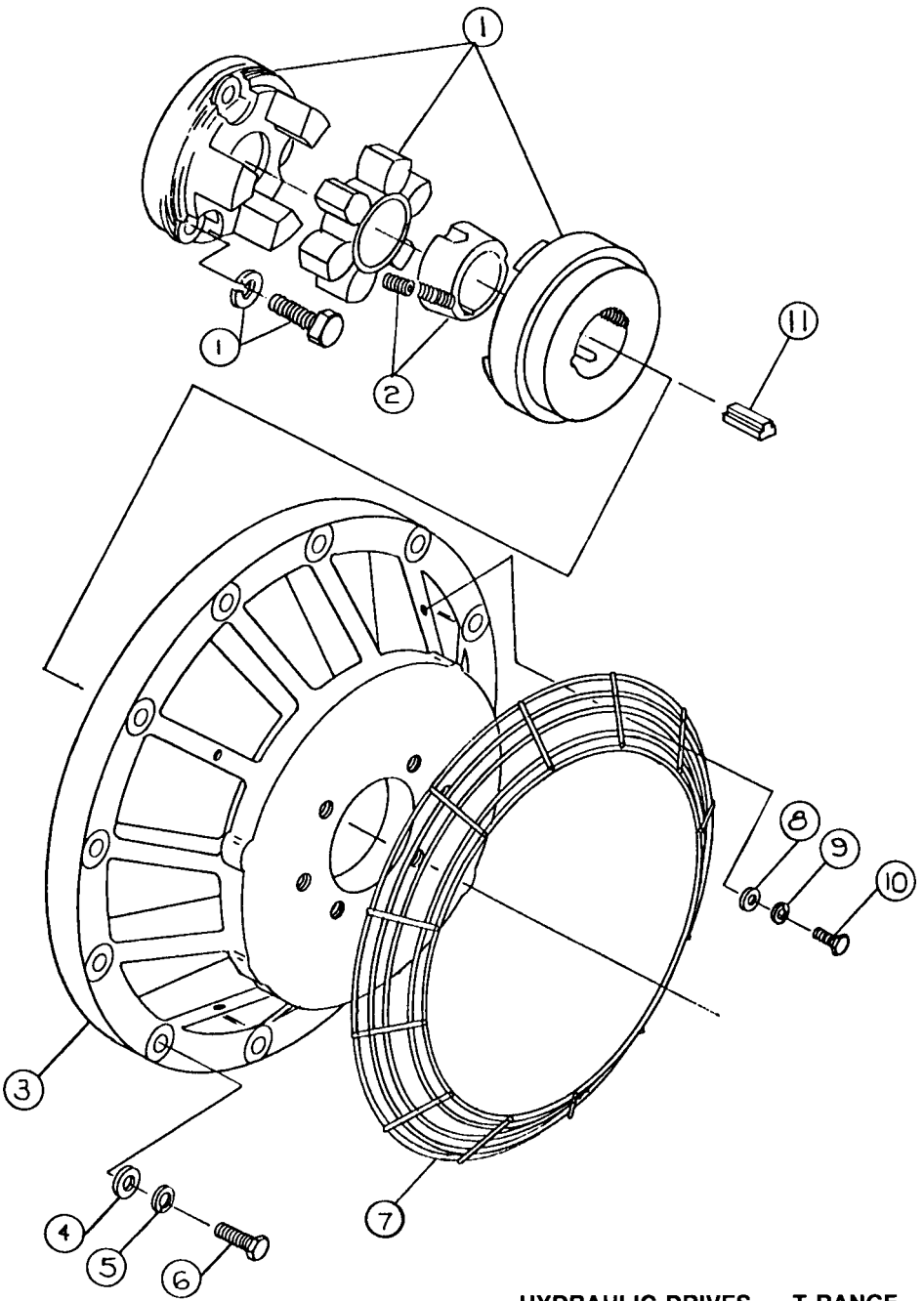
T RANGE HYDRAULIC DRIVES

S.A.E. 'B', 1" SHAFT, TR/S 993-00298

	DESCRIPTION	PART NO.	QTY
2.	TAPER-LOCK BUSHING	000-04268	1
3.	ADAPTOR	000-01760	1

S.A.E. 'A', 'B', 'C', WITH PARALLEL-KEYED SHAFT,
CONTINUED FROM PRECEDING PAGE.

	DESCRIPTION	PART NO.	QTY
1.	COUPLING, LESS BUSHING	570-31520	1
4.	PLAIN WASHER 3/8	027-00229	12
5.	SPRING WASHER 3/8	027-00393	12
6.	BOLT 3/8 UNC X 1 1/4	270-00349	12
7.	ADAPTOR GUARD	000-01646	1
8.	PLAIN WASHER 1/4	785631	4
9.	SPRING WASHER 1/4	786078	4
10.	BOLT 1/4 UNF X 1/2	270-00054	4



HYDRAULIC DRIVES — T RANGE

T RANGE HYDRAULIC DRIVES

S.A.E. 'C', 14 TOOTH SPLINE, TR/S 993-00287

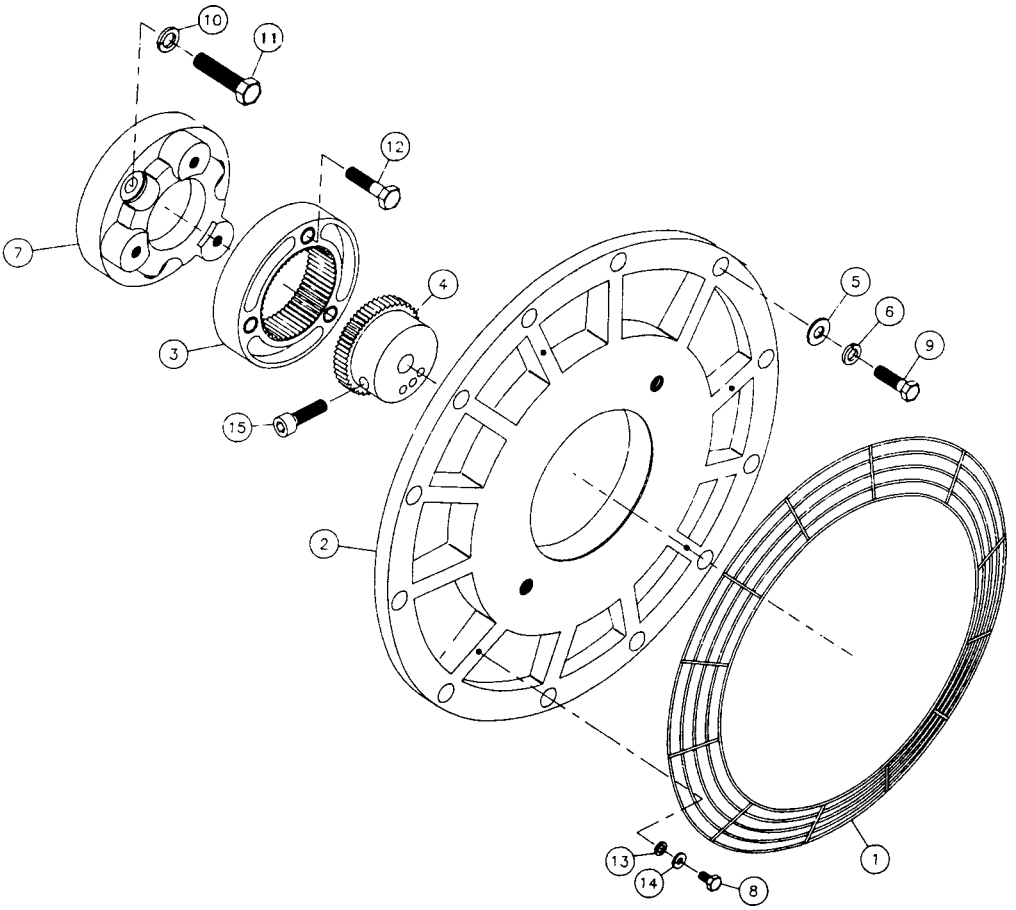
	DESCRIPTION	PART NO.	QTY
2.	ADAPTOR	000-03556	1
4.	SPLINED HUB	000-04838	1

S.A.E. 'C', 9 TOOTH SPLINE, TR/S 993-00290

	DESCRIPTION	PART NO.	QTY
2.	ADAPTOR	000-01759	1
4.	SPLINED HUB	000-04306	1

THE FOLLOWING PARTS ARE COMMON TO BOTH KITS LISTED ABOVE:

	DESCRIPTION	PART NO.	QTY
1.	GUARD	000-01646	1
3.	DRIVE MEMBER	000-04305	1
5.	PLAIN WASHER 3/8	027-00229	12
6.	LOCK WASHER 3/8	027-00393	15
7.	COUPLING DRIVE MEMBER	202-45900	1
8.	BOLT 1/4 UNF X 1/2	270-00054	4
9.	BOLT 3/8 UNC X 1 1/4	270-00349	12
10.	LOCK WASHER M12	272-00073	3
11.	BOLT M12 X 50	272-00254	3
12.	BOLT M10 X 40	272-00673	3
13.	PLAIN WASHER 1/4	785631	4
14.	LOCK WASHER 1/4	786078	4
15.	SOC. HD. CAPSCREW M10 X 35	272-00206	1



HYDRAULIC DRIVES - T RANGE

T RANGE HYDRAULIC DRIVES

S.A.E. 'B', 7/8" SHAFT, TX 993-00065

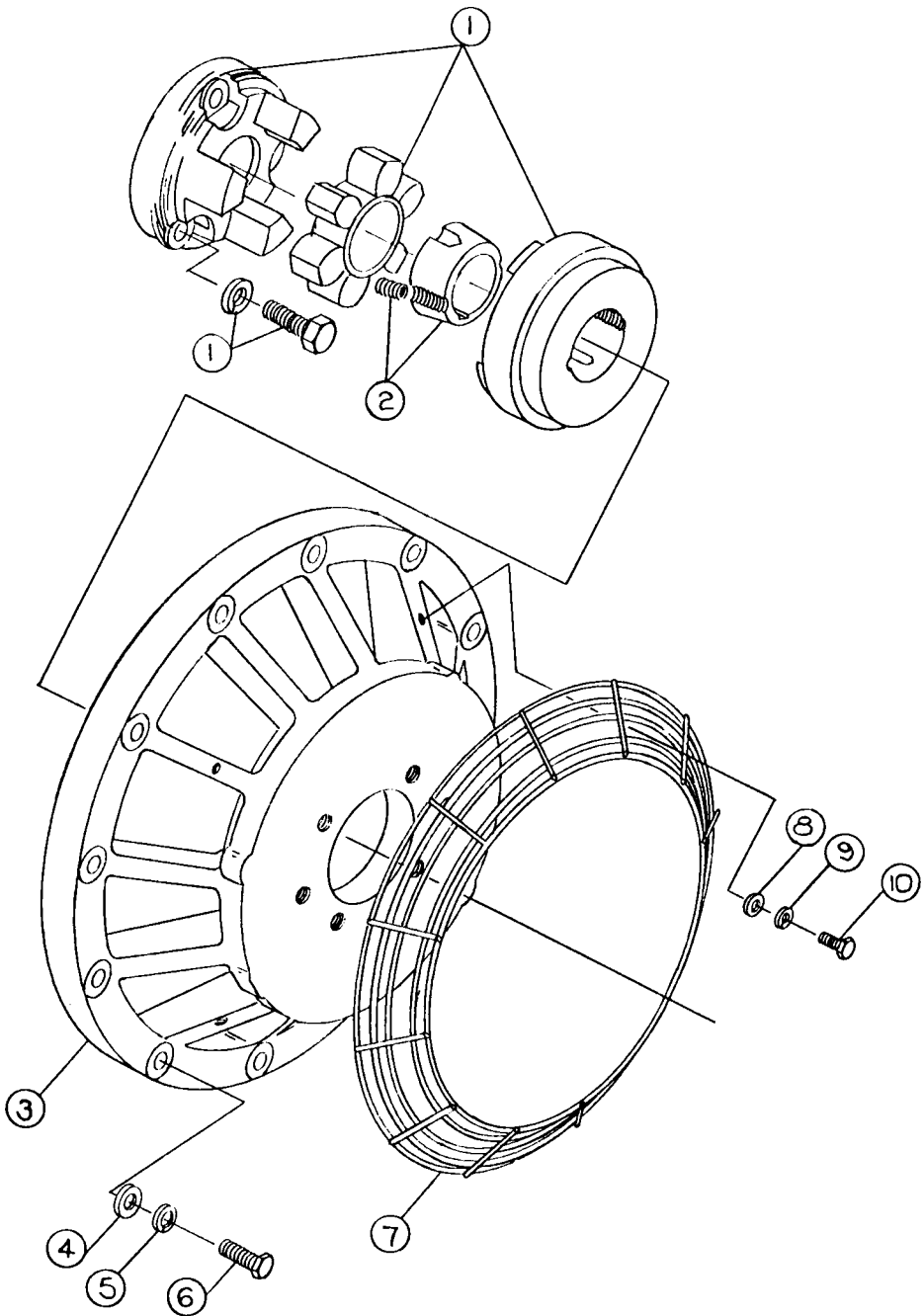
	DESCRIPTION	PART NO.	QTY
2.	TAPER-LOCK BUSHING	000-01762	1
3.	ADAPTOR	000-01769	1

S.A.E. 'C', 1¼" SHAFT, TX 993-00066

	DESCRIPTION	PART NO.	QTY
2.	TAPER-LOCK BUSHING	000-01764	1
3.	ADAPTOR	000-01770	1

THE FOLLOWING PARTS ARE COMMON TO BOTH KITS LISTED ABOVE:

	DESCRIPTION	PART NO.	QTY
1.	COUPLING, LESS BUSHING	570-31520	1
4.	PLAIN WASHER 3/8	027-00184	12
5.	SPRING WASHER 3/8	027-00393	12
6.	BOLT 3/8 UNC X 1 3/8	270-00589	12



HYDRAULIC DRIVES — T RANGE

T RANGE HYDRAULIC DRIVES

S.A.E. 'B', 13 TOOTH SPLINE, TX 993-00078

	DESCRIPTION	PART NO.	QTY
5.	DRIVE HUB	000-01806	1
6.	SPLINED SLUG	000-01809	1
7.	SETSCREW 1 1/4 UNF X 3/8	270-00211	2
12.	ADAPTOR	000-01769	1

S.A.E. 'B', 15 TOOTH SPLINE, TX 993-00077

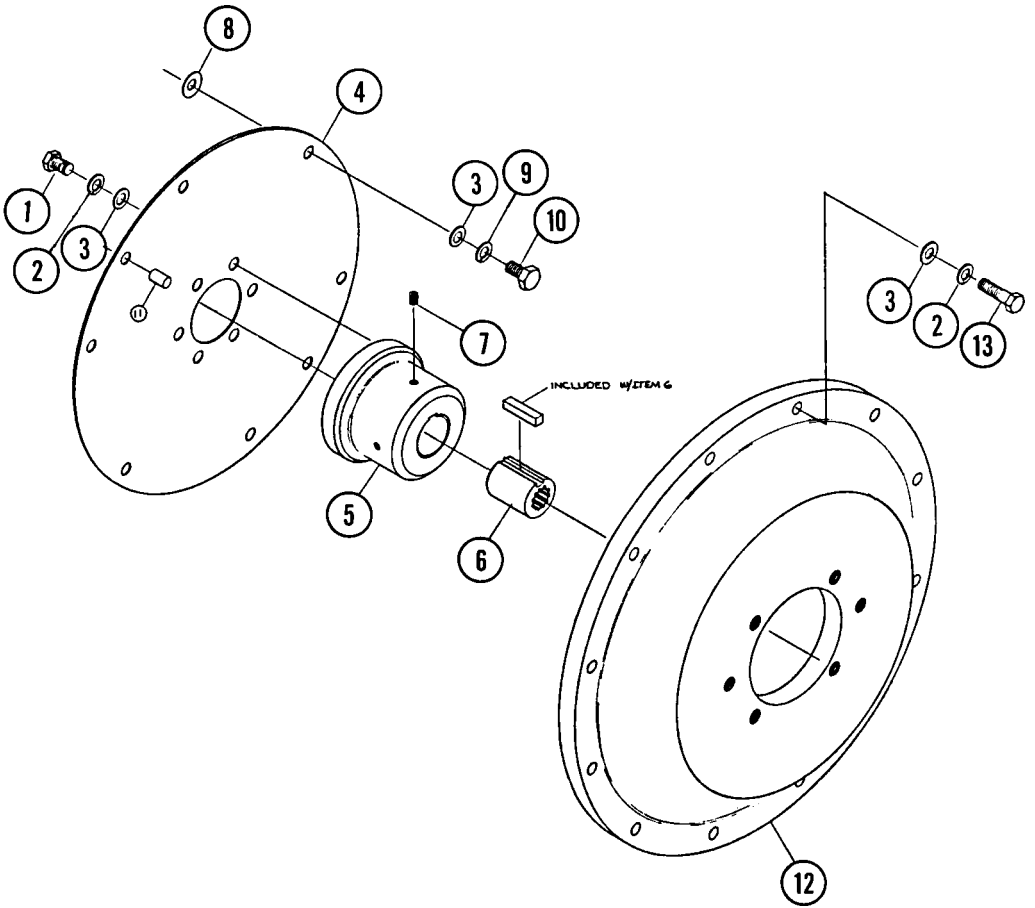
	DESCRIPTION	PART NO.	QTY
5.	DRIVE HUB	000-01806	1
6.	SPLINED SLUG	000-01808	1
7.	SETSCREW 1/4 UNF X 3/8	270-00211	2
12.	ADAPTOR	000-01769	1

S.A.E. 'C', 14 TOOTH SPLINE, TX 993-00071

	DESCRIPTION	PART NO.	QTY
5.	DRIVE HUB	000-01795	1
6.	SPLINED SLUG	000-01794	1
7.	SETSCREW 3/8 UNF X 3/8	270-00225	2
12.	ADAPTOR	000-01770	1

THE FOLLOWING PARTS ARE COMMON TO BOTH KITS LISTED ABOVE:

	DESCRIPTION	PART NO.	QTY
1.	BOLT 3/8 UNF X 5/8	270-00161	6
2.	SPRING WASHER 3/8	027-00393	18
3.	PLAIN WASHER 3/8	027-00184	24
4.	DRIVE DISC	000-01834	2
8.	PLAIN WASHER 3/8	027-00229	6
9.	SPRING WASHER M10	272-00072	6
10.	BOLT M10 X 20	272-00241	6
11.	DOWEL PIN	803-01177	2
13.	BOLT 3/8 UNC X 13/8	270-00589	12

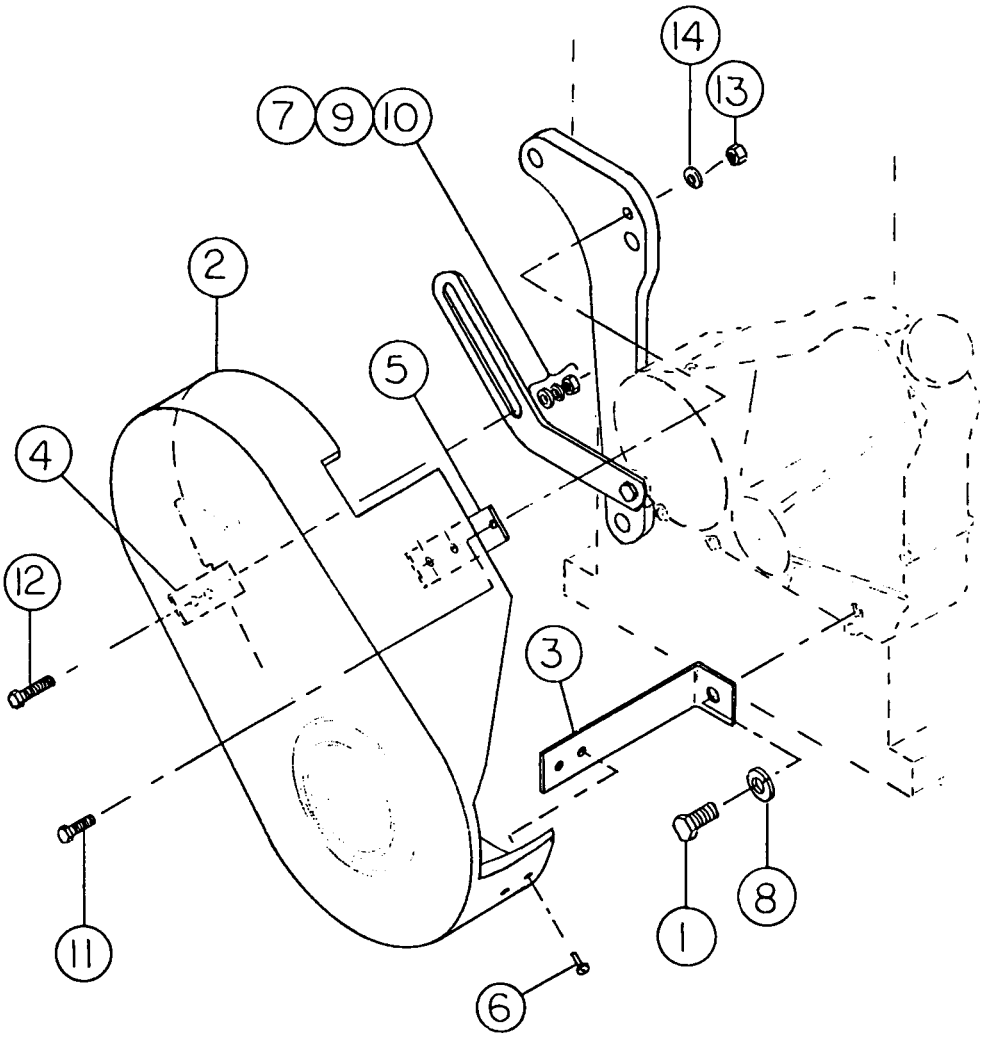


HYDRAULIC DRIVES - T RANGE

T RANGE BELT GUARDS

ALTERNATOR BELT GUARD, TR/3 993-00239

	DESCRIPTION	PART NO.	QTY
1.	BOLT 7/16 UNC X 3/4	000-03873	1
2.	BELT GUARD	000-04168	1
3.	LOWER BRACKET	000-04179	1
4.	ADJ. STRAP BRACKET	000-04180	1
5.	UPPER BRACKET	000-04181	1
6.	POP RIVET	000-04186	6
7.	SPRING WASHER 5/16	027-00413	1
8.	SPRING WASHER 7/16	027-00984	1
9.	PLAIN WASHER 5/16	064-06612/008	1
10.	NUT 5/16 UNC	101-00602	1
11.	BOLT 1/4 UNC X 1	270-00262	1
12.	BOLT 5/16 UNC X 3/4	752647	1
13.	NUT 1/4 UNC	756606	1
14.	SPRING WASHER 1/4	786078	1

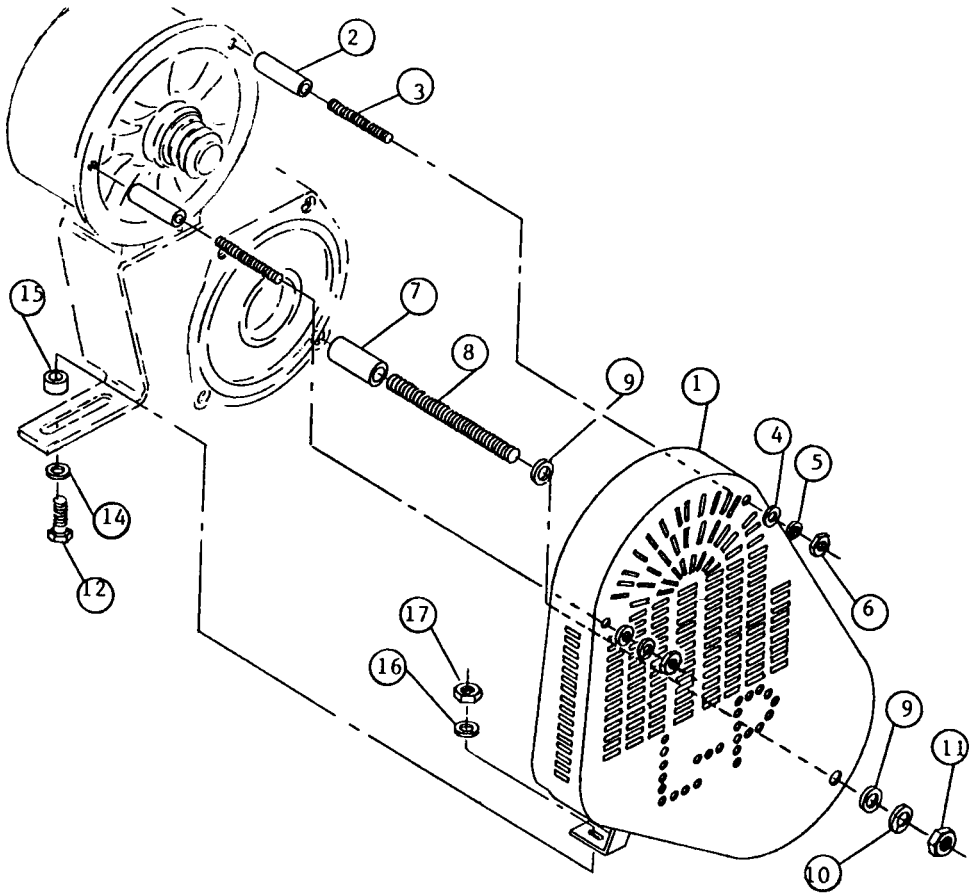


BELT GUARDS — T RANGE

T RANGE BELT GUARDS

BELT GUARD, TX 993-00155

	DESCRIPTION	PART NO.	QTY
1.	BELT GUARD	000-03173	1
2.	DISTANCE PIECE	000-03780	2
3.	STUD	000-03779	2
4.	WASHER	000-03008	2
5.	SPRING WASHER M6	786004	2
6.	NUT M6	272-00002	2
7.	DISTANCE PIECE	000-03202	1
8.	STUD	000-03201	1
9.	PLAIN WASHER	389555	2
10.	SPRING WASHER 7/16	027-00984	1
11.	NUT 7/16 UNC	000-02443	1
12.	BOLT 5/16 UNC X 1½	270-00410	1
14.	WASHER	785631	1
15.	DISTANCE PIECE	366-03663	1
16.	SPRING WASHER 5/16	027-00413	1
17.	NUT 5/16 UNC	101-00602	1

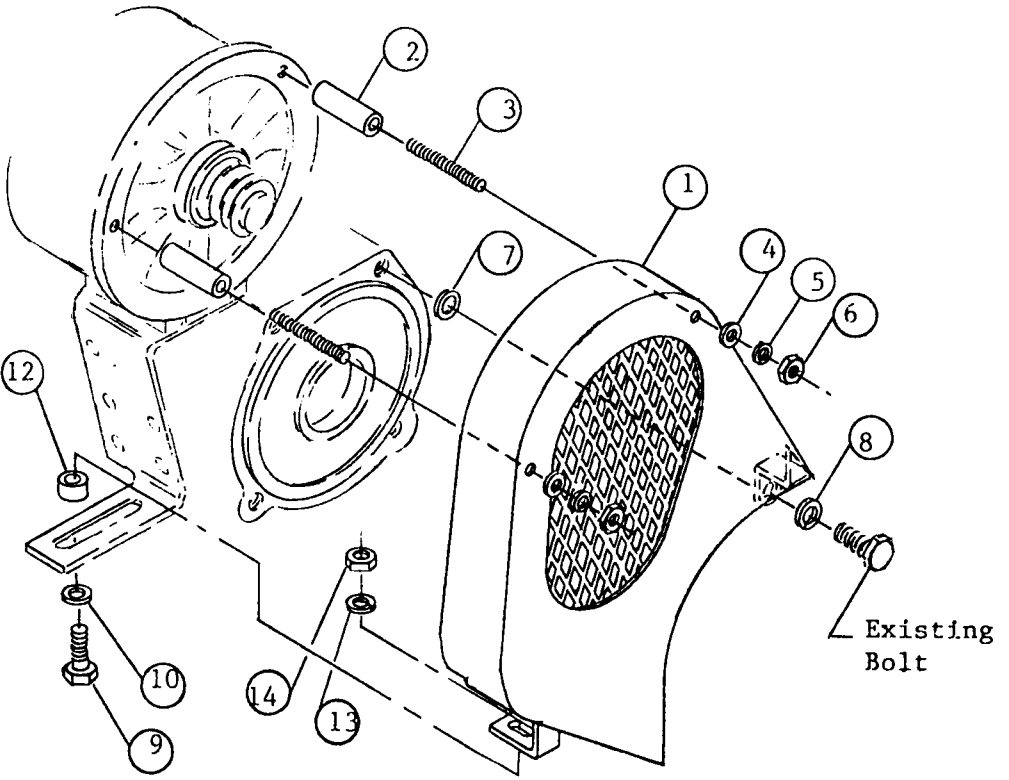


BELT GUARDS — T RANGE

T RANGE BELT GUARDS

BELT GUARD, W/GEAR END HYDRAULICS, TX 993-00185

	DESCRIPTION	PART NO.	QTY
1.	BELT GUARD	000-03841	1
2.	DISTANCE PIECE	000-03780	2
3.	STUD	000-03779	2
4.	PLAIN WASHER	000-03008	2
5.	SPRING WASHER M6	786004	2
6.	NUT M6	272-00002	2
7.	PLAIN WASHER 7/16	027-00545	1
8.	SPRING WASHER 7/16	027-00984	1
9.	BOLT 5/16 UNC X 1 1/2	270-00410	1
10.	PLAIN WASHER	785631	1
12.	DISTANCE PIECE	366-03663	1
13.	SPRING WASHER 5/16	027-00413	1
14.	NUT 5/16 UNC	101-00602	1



BELT GUARDS — T RANGE

T RANGE PROTECTION DEVICES & SOLENOIDS

HIGH AIR TEMP. SWITCH, N/O, TR/S2/3 993-00076

	DESCRIPTION	PART NO.	QTY
6.	TEMP. SWITCH	000-03595	1

HIGH AIR TEMP. SWITCH, N/O, TR/S2/3 993-00232

	DESCRIPTION	PART NO.	QTY
6.	TEMP. SWITCH	000-04026	1

**NOTE: THESE SWITCHES ARE FOR ENGINES RUNNING AT 1850 RPM
AND BELOW, ONLY.**

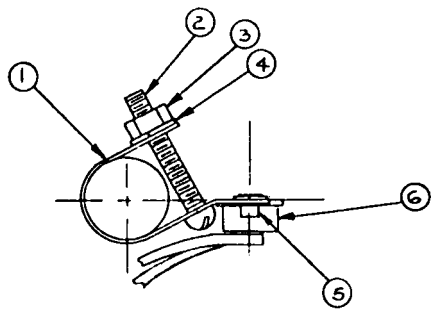
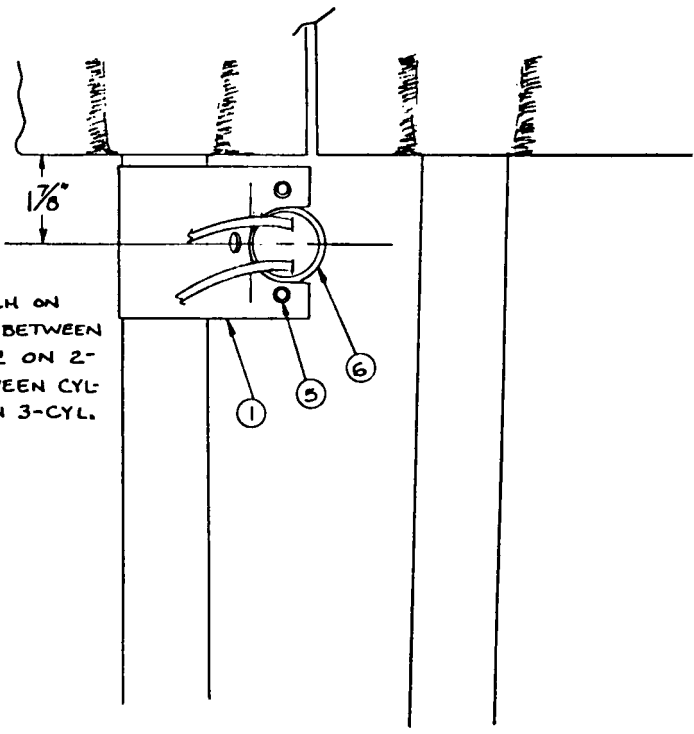
THE FOLLOWING PARTS ARE COMMON TO ALL KITS LISTED ON THIS PAGE:

	DESCRIPTION	PART NO.	QTY
1.	BRACKET	000-01805	1
2.	SCREW 8-32 X 1¼	000-02588	1
3.	NUT 8-32	101-00600	1
4.	SPRING WASHER #8	101-00626	1
5.	POP RIVET	000-00671	2

PRE-ALARM TEMP. SWITCH, TR/S2/3 993-00311

	DESCRIPTION	PART NO.	QTY
6.	TEMP. SWITCH	000-01804	1

MOUNT SWITCH ON
PUSH ROD TUBE BETWEEN
CYLINDERS 1 & 2 ON 2-
CYL., OR BETWEEN CYL-
INDERS 2 & 3 ON 3-CYL.



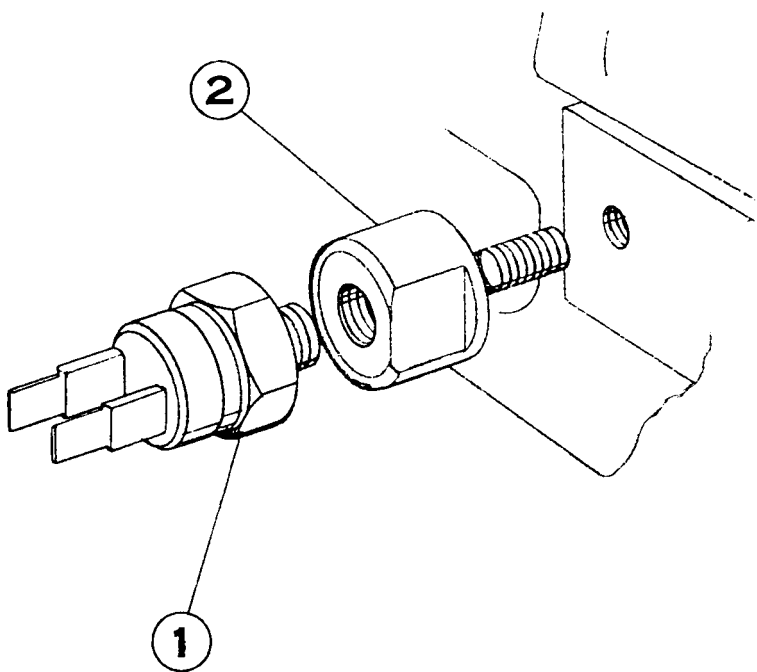
PROTECTION DEVICES & SOLENOIDS — T RANGE

T RANGE PROTECTION DEVICES & SOLENOIDS

HEAD TEMP. SWITCH, N/O, TX, 130°C 993-00193

	DESCRIPTION	PART NO.	QTY
1.	TEMP. SWITCH	000-01823	1
2.	ADAPTOR	366-07719	1

NOTE: THE KIT ABOVE MAY BE USED WITH TX ENGINES AT ALL OPERATING SPEEDS.

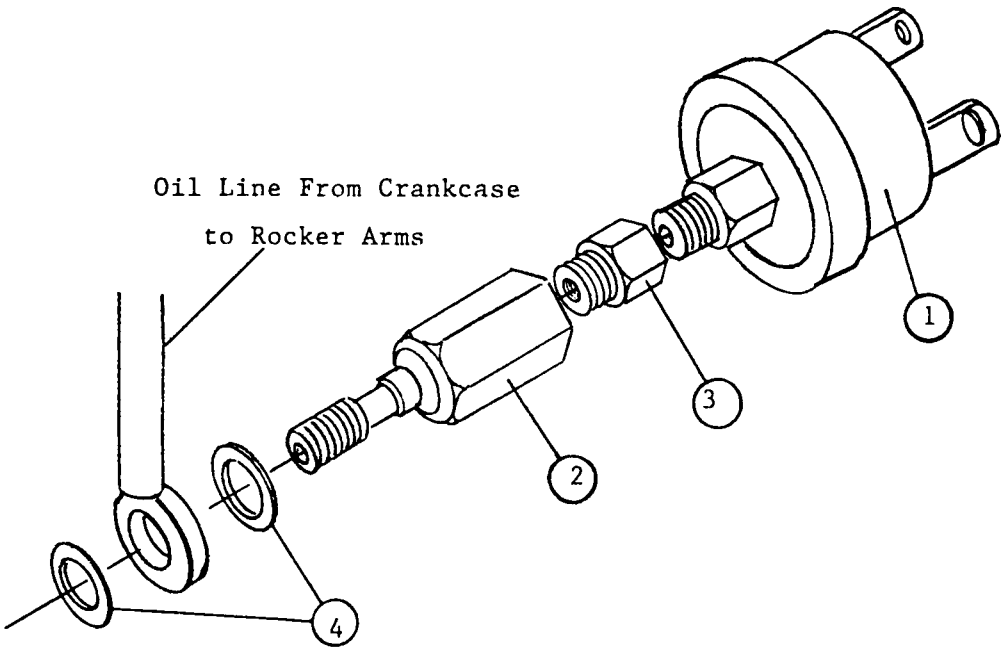


PROTECTION DEVICES & SOLENOIDS — T RANGE

T RANGE PROTECTION DEVICES & SOLENOIDS

LOW OIL PRESSURE SWITCH, N/O 993-00015

	DESCRIPTION	PART NO.	QTY
1.	OIL PRESSURE SWITCH	000-05659	1
2.	ADAPTOR	000-00731	1
3.	EXTENSION 1/8 NPT	000-01741	1
4.	COPPER WASHER	616-01608	2



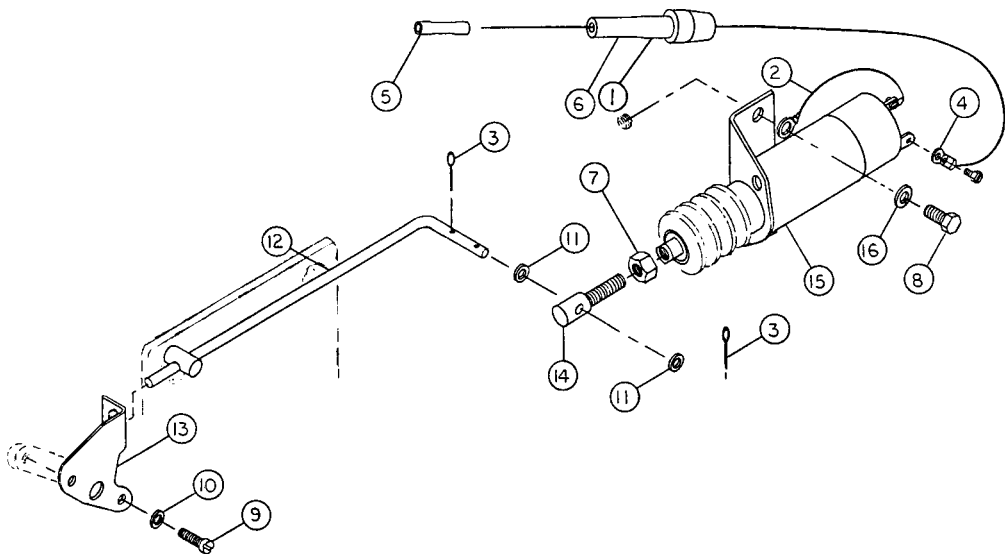
PROTECTION DEVICES & SOLENOIDS - T RANGE

T RANGE PROTECTION DEVICES & SOLENOIDS

24V FUEL CONTROL SOLENOID, TR/S1 993-00304

12V FUEL CONTROL SOLENOID, TR/S1 993-00118

	DESCRIPTION	PART NO.	QTY	
			12V	24V
1.	FUSE 10 AMP	000-00526	1	-
	FUSE 5 AMP	000-00677	-	1
2.	WIRE LEAD	000-00599	1	1
3.	COTTER PIN	027-01986	3	3
4.	TERMINAL	101-00402	1	1
5.	BUTT CONNECTOR	101-00404	1	1
6.	FUSE HOLDER	101-00405	1	1
7.	LOCKNUT 1/4 UNF	270-00340	1	1
8.	BOLT M6 X 12	272-00032	2	2
9.	SCREW M4 X 12	272-00062	2	2
10.	SPRING WASHER M4	272-00084	2	2
11.	PLAIN WASHER	272-00346	3	3
12.	SOLENOID LINK	366-07010	1	1
13.	STOP LEVER	366-07013	1	1
14.	CONNECTOR	601-41390	1	1
15.	SOLENOID 12V	601-41430	1	-
	SOLENOID 24V	000-05436	-	1
16.	SPRING WASHER M6	786004	2	2



PROTECTION DEVICES & SOLENOIDS - T RANGE

T RANGE PROTECTION DEVICES & SOLENOIDS

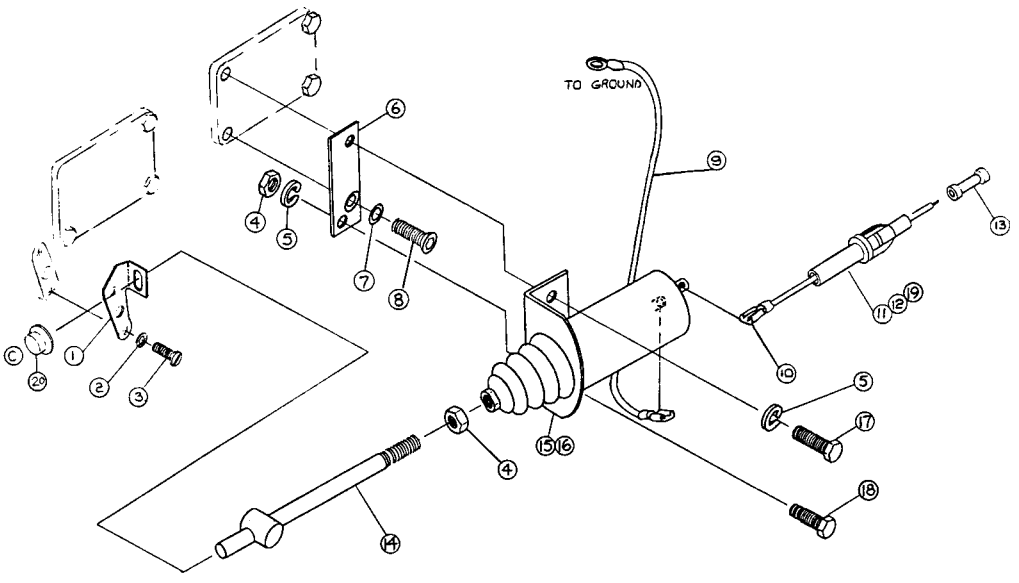
FUEL SOLENOID, 24V, 2/3 CYL..... 993-00100

FUEL SOLENOID, 12V, 2/3 CYL..... 993-00045

	DESCRIPTION	PART NO.	QTY	
1.	STOP LEVER	000-05226	1	1
2.	SPRING WASHER M4	272-00084	2	2
3.	SCREW M4 X 12	272-00062	2	2
4.	NUT M6	272-00002	2	2
5.	SPRING WASHER M6	786078	2	2
6.	MOUNTING BRACKET	366-07194	1	1
7.	LOCK WASHER	272-00382	1	1
8.	FLAT HEAD SCREW	272-00383	1	1
9.	GROUND LEAD	000-02464	1	1
10.	TERMINAL	101-00407	2	2
11.	FUSE HOLDER	101-00405	1	1
12.	FUSE 10 AMP.	000-00526	1	-
13.	BUTT CONNECTOR	101-00404	1	1
14.	SOLENOID LINK	366-07191	1	1
15.	SOLENOID 12 VOLT	366-07197	1	-
16.	SOLENOID 24 VOLT	366-07198	-	1
17.	BOLT M6 X 20	272-00117	1	1
18.	BOLT M6 X 16	272-00034	1	1
19.	FUSE 5 AMP	000-00677	-	1
20.	ROD END CAP	000-03602	1	1

FUEL SOLENOID, 12V, 3-WIRE 993-00314

	DESCRIPTION	PART NO.	QTY	
1.	STOP LEVER	000-05226	1	
2.	SPRING WASHER M4	272-00084	2	
3.	SCREW M4 X 12	272-00062	2	
4.	NUT M6	272-00002	2	
5.	SPRING WASHER M6	786004	2	
6.	MOUNTING BRACKET	366-07194	1	
7.	LOCK WASHER	272-00382	1	
8.	FLAT HEAD SCREW	272-00383	1	
14.	SOLENOID LINK	366-07191	1	
15.	SOLENOID	000-03720	1	
17.	BOLT M6 X 20	272-00117	1	
18.	BOLT M6 X 16	272-00034	1	

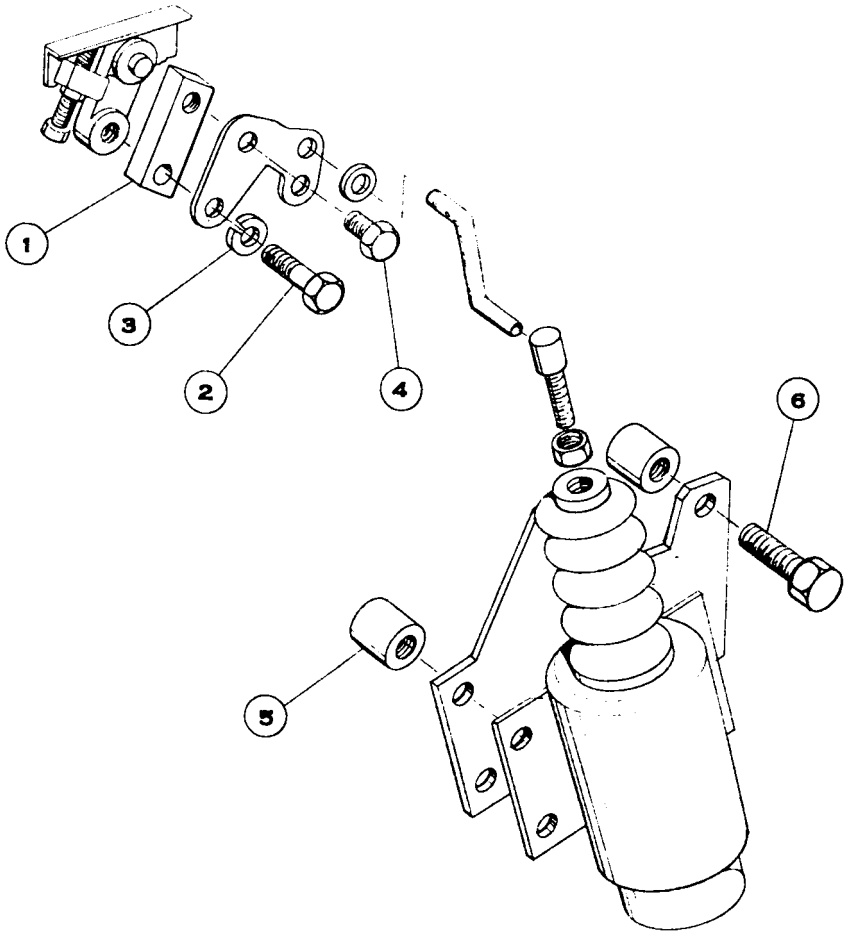


PROTECTION DEVICES & SOLENOIDS - T RANGE

T RANGE PROTECTION DEVICES & SOLENOIDS

2-SPEED SOLENOID, SPACER 993-00178

	DESCRIPTION	PART NO.	QTY
1.	LEVER SPACER	000-03447	1
2.	BOLT M6 X 25	272-00256	1
3.	SPRING WASHER 1/4	786078	1
4.	BOLT 1/4 UNF X 1/2	270-00054	1
5.	DISTANCE PIECE	366-03663	3
6.	BOLT M8 X 40	272-00043	3



PROTECTION DEVICES & SOLENOIDS — T RANGE

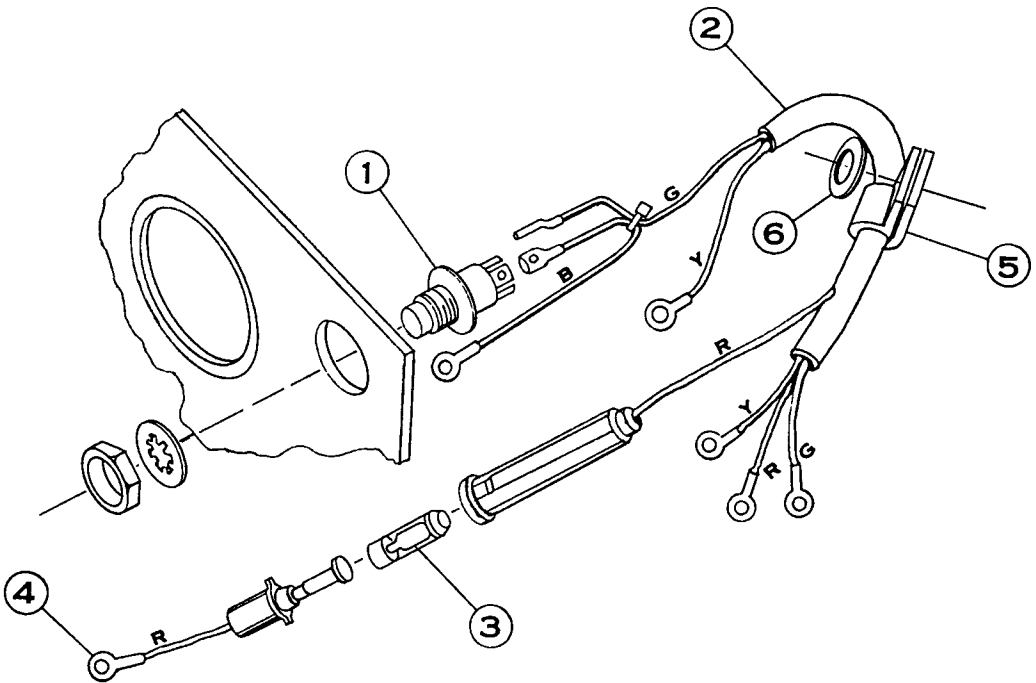
T RANGE PROTECTION DEVICES & SOLENOIDS

STOP SWITCH & HARNESS, FLYWHEEL CHARGING 993-00029

	DESCRIPTION	PART NO.	QTY
1.	SWITCH	000-00723	1
2.	WIRING HARNESS	000-01647	1
3.	FUSE 10 AMP.	000-00526	1
4.	WIRE LEAD	000-01135	1
5.	CABLE CLAMP	101-00205	1
6.	PLAIN WASHER 5/16	027-00082	1

STOP SWITCH & HARNESS, BELT-DRIVEN ALTERNATOR 993-00257

	DESCRIPTION	PART NO.	QTY
1.	SWITCH	000-00723	1
2.	WIRING HARNESS	000-01267	1
3.	FUSE 10 AMP.	000-00526	1

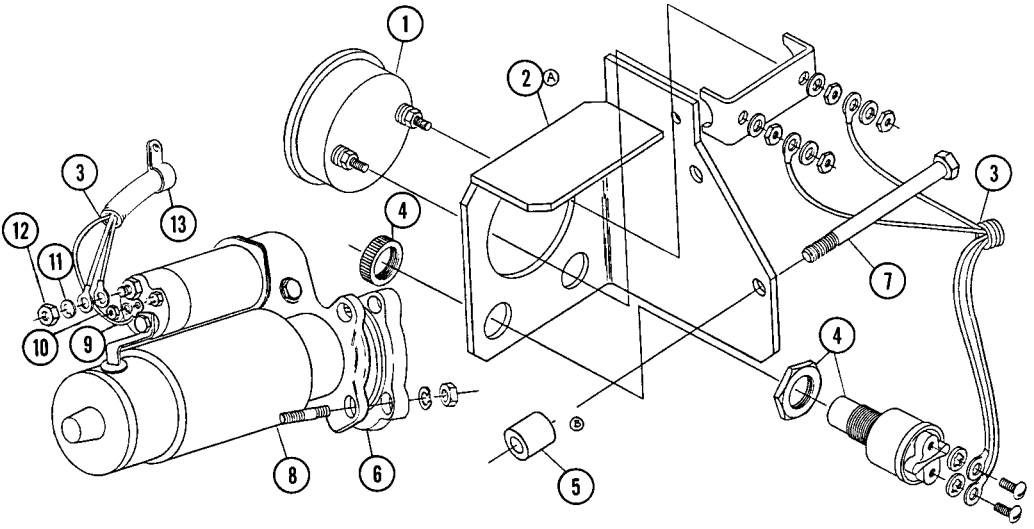


T RANGE STARTING & CHARGING

12V ELECTRIC STARTING, LESS START MOTOR 993-00057
12V ELECTRIC STARTING, LESS START MOTOR 993-00001

	DESCRIPTION	PART NO.	QTY.	
1.	AMMETER	000-00030	1	1
2.	MOUNTING BRACKET	000-01602	1	1
3.	WIRING HARNESS	000-01601	1	1
4.	SWITCH	000-00031	1	1
5.	DISTANCE PIECE	366-03663	2	2
7.	BOLT M8 X 90	272-00115	2	2
8.	START MOTOR	000-00717	1	-
9.	SPRING WASHER 3/16	000-03007	2	2
10.	NUT M5 BRASS	000-01372	1	1
11.	SPRING WASHER M10	272-00072	1	1
12.	NUT M10 BRASS	272-00012	1	1
13.	CABLE CLAMP	101-00205	2	2

TO CONNECT LATEST FLYWHEEL-MOUNTED BATTERY CHARGING ALTERNATOR,
USE WIRING HARNESS PART NO. 993-00315.



STARTING & CHARGING - T RANGE

T RANGE STARTING & CHARGING

24V ELECTRIC START W/ALTERNATOR, TR/S2/3 993-00306
 12V ELECTRIC START W/ALTERNATOR, TR/S 993-00241

DESCRIPTION	PART NO.	QTY.	
		12V	24V
1. AMMETER	000-00030	1	1
2. MOUNTING BRACKET	000-01602	1	1
3. WIRING HARNESS 12V	000-04187	1	-
WIRING HARNESS, 24V	000-05514	-	1
4. SWITCH	000-00031	1	1
5. DISTANCE PIECE	366-03663	2	2
6. STARTER SPACER	570-31760	1	1
7. BOLT M8 X 90	272-00115	2	2
8. START MOTOR	000-00717	1	-
START MOTOR	000-05513	-	1
9. SPRING WASHER 3/16	000-03007	2	2
10. NUT M5 BRASS	000-01372	2	2
11. SPRING WASHER M10	272-00072	1	1
12. NUT M10 BRASS	272-00012	1	1
13. CABLE CLAMP	101-00205	3	3

ALTERNATOR KITS, INCLUDED IN THE KITS ABOVE, ARE ILLUSTRATED ELSEWHERE IN THIS MANUAL:

12V, 62A ALTERNATOR	993-00238	1	-
24V, 40A ALTERNATOR	993-00240	-	1

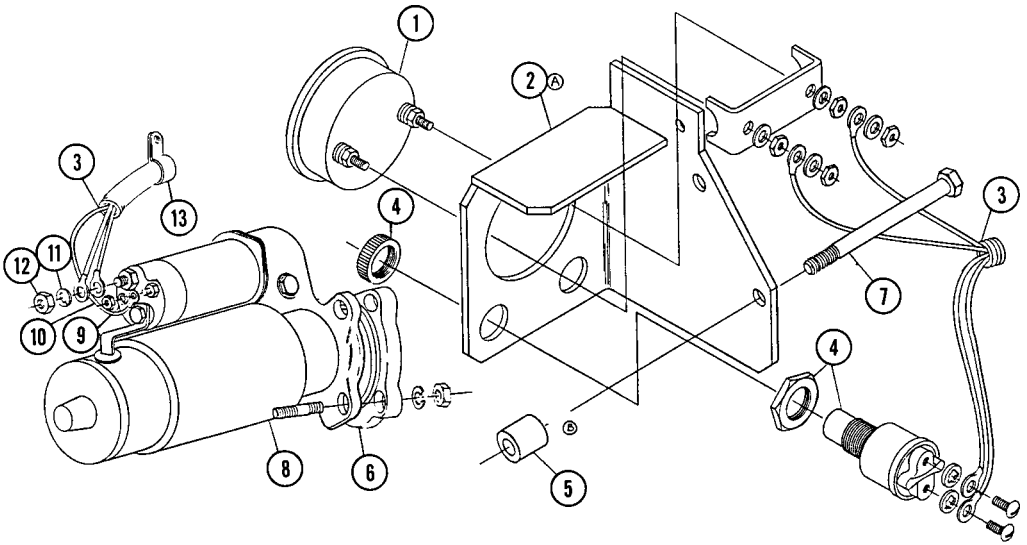
24V ELECTRIC START, TR/S1 993-00309

DESCRIPTION	PART NO.	QTY.	
6. STARTER SPACER	000-05456	1	
8. START MOTOR	751-15580	1	

NOT SHOWN:

FLAT HEAD CAPSCREW M10 X 40	000-05457	3	
BOLT M12 X 30	272-00118	2	
SPRING WASHER M12	272-00073	2	

THIS KIT MAY BE USED WITH 24V ALTERNATOR #993-00240.



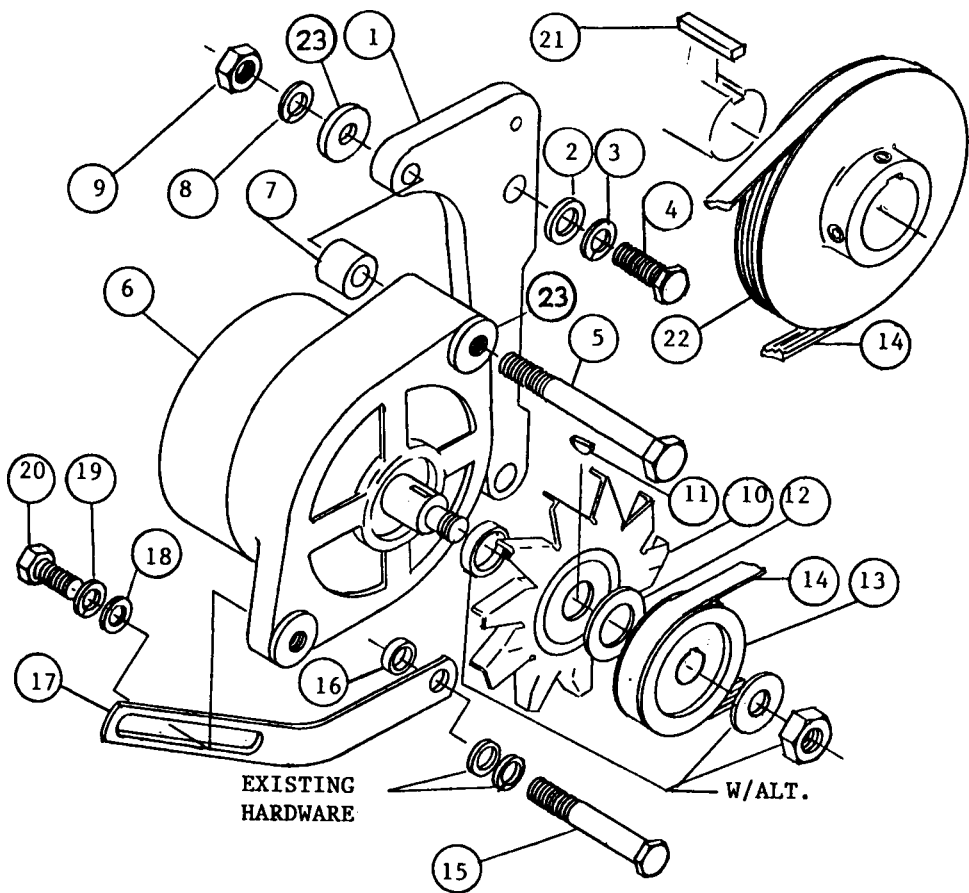
STARTING & CHARGING - T RANGE

T RANGE STARTING & CHARGING

24V 40A ALTERNATOR, TR/S 993-00240

12V 62A ALTERNATOR, TR/S 993-00238

DESCRIPTION	PART NO.	QTY.	
		12 V	24V
1. BRACKET	000-04155	1	1
2. PLAIN WASHER 7/16	027-00545	2	2
3. SPRING WASHER 7/16	027-00984	2	2
4. BOLT 7/16 UNC X 1 1/4	000-03868	2	2
5. BOLT M10 X 100	000-04574	1	1
6. ALTERNATOR	389554	1	-
	000-03942	-	1
7. DISTANCE PIECE	000-04156	1	1
8. SPRING WASHER M10	272-00072	1	1
9. NUT M10	272-00004	1	1
10. FAN	274193	1	1
11. WOODRUFF KEY	000-02620	-	1
12. PLAIN WASHER	000-03166	1	1
13. ALTERNATOR PULLEY	000-03869	1	1
14. POLY-V BELT	000-04154	1	1
15. BOLT M8 X 80	272-00128	1	1
16. DISTANCE PIECE	351-11630	1	1
17. ADJUSTING STRAP	000-01687	1	1
18. PLAIN WASHER 5/16	064-06612/009	1	1
19. SPRING WASHER M8	272-00071	1	1
20. BOLT M8 X 25	272-00040	1	1
21. KEY M8 X M12	000-04163	1	1
22. ENGINE PULLEY	000-04133	1	1
23. PLAIN WASHER 3/8	389555	2	2



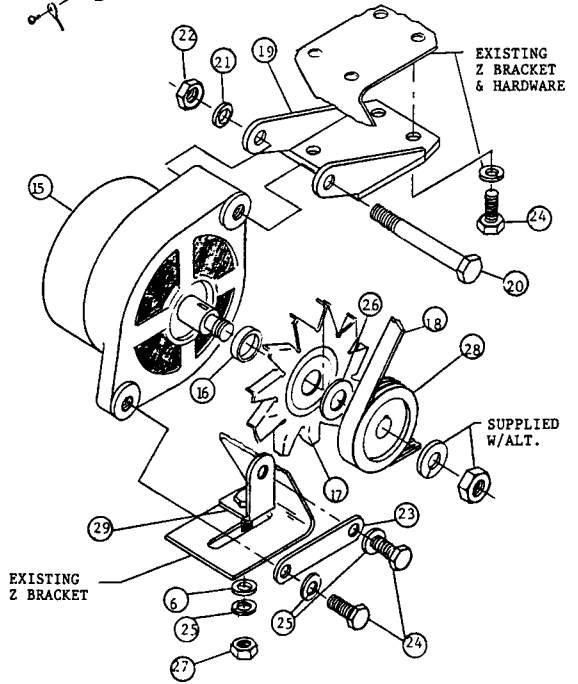
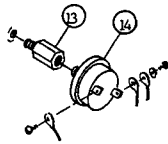
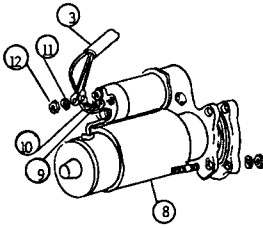
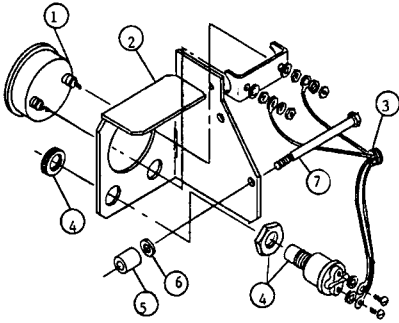
STARTING & CHARGING — T RANGE

T RANGE STARTING & CHARGING

12V ELEC. START W/ALTERNATOR, TX2 993-00138

12V ELEC. START W/ALTERNATOR, TX3 993-00169

	DESCRIPTION	PART NO.	QTY.	
			TX3	TX2
1.	AMMETER	000-00030	1	1
2.	MOUNTING BRACKET	000-01602	1	1
3.	WIRING HARNESS	000-04239	1	1
4.	SWITCH	000-00031	1	1
5.	DISTANCE PIECE	366-03663	2	2
6.	PLAIN WASHER 5/16	027-00082	4	4
7.	BOLTM8 X 90	272-00115	2	2
8.	START MOTOR	000-05240	1	-
		000-00717	-	1
9.	SPRING WASHER 3/16	000-03007	2	2
10.	NUT M5 BRASS	000-01372	2	2
11.	SPRING WASHER M10	272-00072	1	1
12.	NUT M10 BRASS	272-00012	1	1
13.	ADAPTOR	000-00731	1	1
14.	OIL PRESSURE SWITCH	000-05659	1	1
15.	ALTERNATOR	389554	1	1
16.	FAN SPACER	000-03036	1	1
17.	ALTERNATOR-FAN	274193	1	1
18.	POLY-V BELT	000-03386	1	1
19.	ALTERNATOR BRACKET	000-03384	1	1
20.	BOLT 3/8 UNF X 4	270-00245	1	1
21.	SPRING WASHER 3/8	027-00393	1	1
22.	NUT 3/8 UNF	270-00004	1	1
23.	ADJUSTING STRAP	000-03383	1	1
24.	BOLT M8 X 25	272-00040	6	6
25.	SPRING WASHER M8	272-00071	3	3
26.	PLAIN WASHER	000-03166	1	1
27.	NUT M8	272-00003	1	1
28.	PULLEY	000-03869	1	1
29.	ADJUSTING BRACKET	000-03927	1	1
	NOT SHOWN:			
	NUT M6	272-00002	1	1
	SPRING WASHER M6	786004	1	1
	SOLENOID RELAY	993-00255	1	-

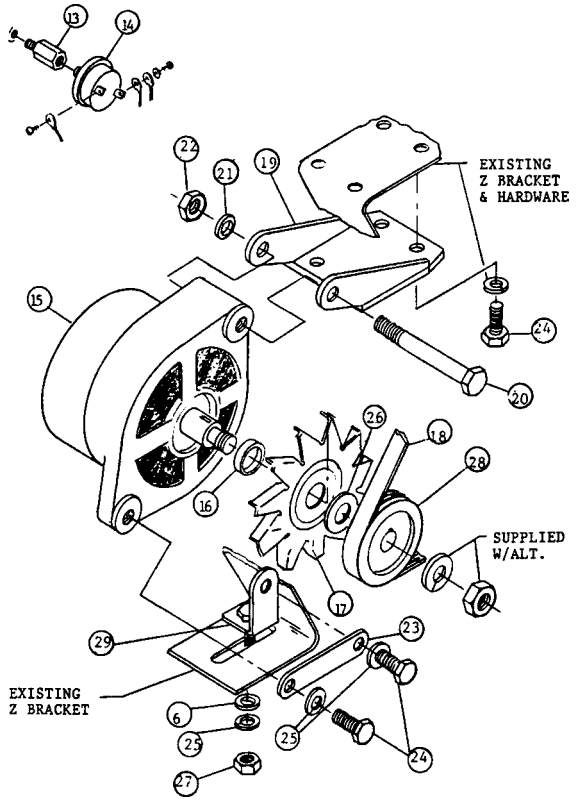
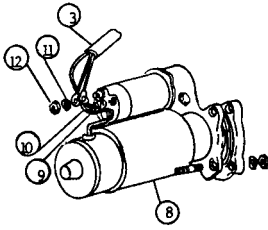
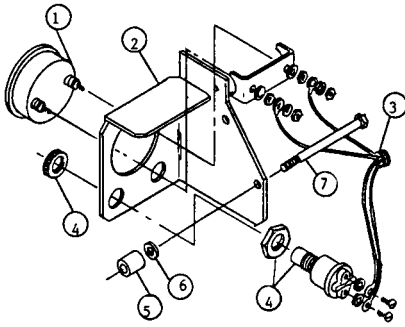


STARTING & CHARGING - T RANGE

T RANGE STARTING & CHARGING

24V ELEC. START, TX3 993-00196

	DESCRIPTION	PART NO.	QTY.
1.	AMMETER	000-00030	1
2.	MOUNTING BRACKET	000-01602	1
3.	WIRING HARNESS	000-04239	1
4.	SWITCH	000-00031	1
5.	DISTANCE PIECE	366-03663	2
6.	PLAIN WASHER 5/16	027-00082	4
7.	BOLTM8 X 90	272-00115	2
8.	START MOTOR	000-02557	1
9.	SPRING WASHER 3/16	000-03007	2
10.	NUT M5 BRASS	000-01372	2
11.	SPRING WASHER M10	272-00072	1
12.	NUT M10 BRASS	272-00012	1
13.	ADAPTOR	000-00731	1
14.	OIL PRESSURE SWITCH	000-05659	1
15.	ALTERNATOR	389554	1
16.	FAN SPACER	000-03036	1
17.	ALTERNATOR-FAN	274193	1
18.	POLY-V BELT	000-03386	1
19.	ALTERNATOR BRACKET	000-03384	1
20.	BOLT 3/8 UNF X 4	270-00245	1
21.	SPRING WASHER 3/8	027-00393	1
22.	NUT 3/8 UNF	270-00004	1
23.	ADJUSTING STRAP	000-03383	1
24.	BOLT M8 X 25	272-00040	6
25.	SPRING WASHER M8	272-00071	3
26.	PLAIN WASHER	000-03166	1
27.	NUT M8	272-00003	1
28.	PULLEY	000-03869	1
29.	ADJUSTING BRACKET	000-03927	1
	NOT SHOWN:		
	NUT M6	272-00002	1
	SPRING WASHER M6	786004	1

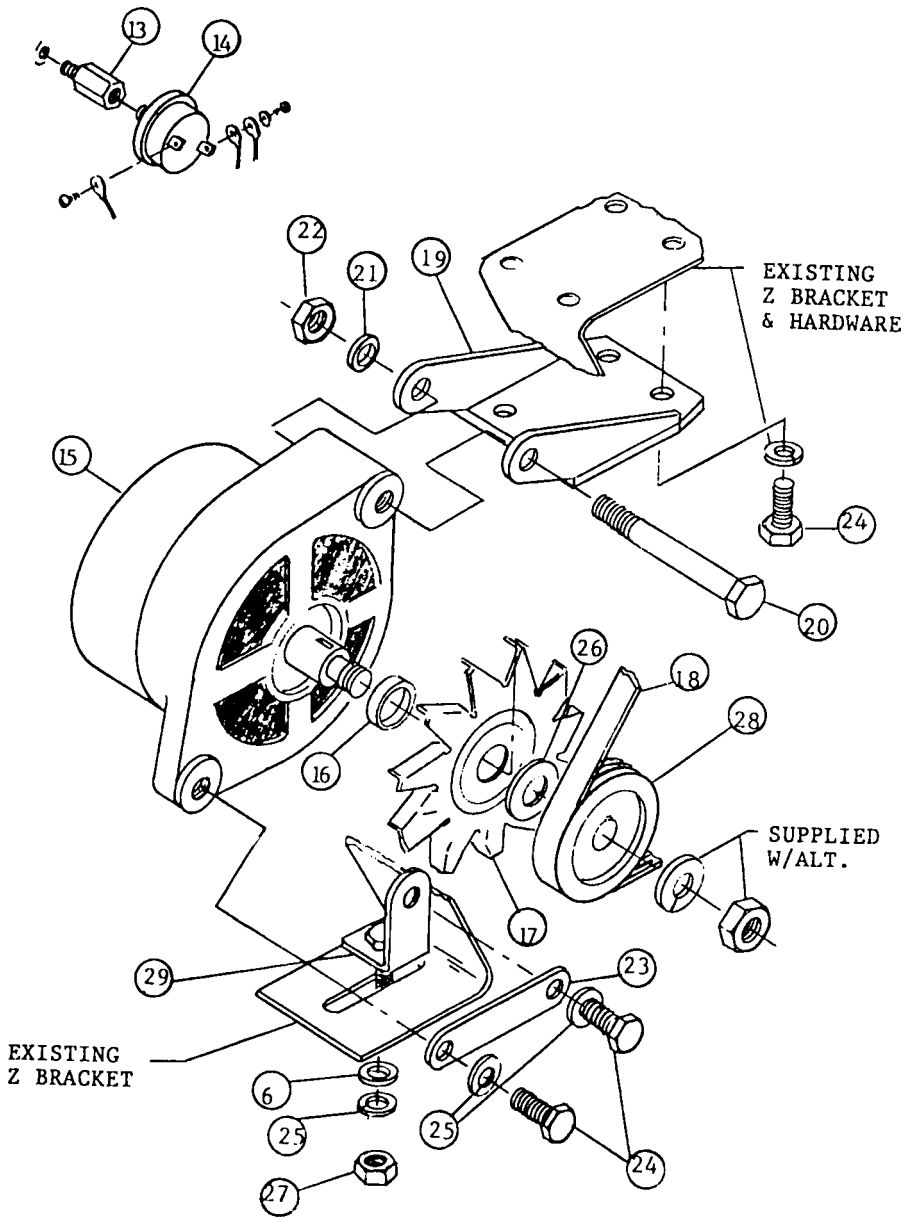


STARTING & CHARGING - T RANGE

T RANGE STARTING & CHARGING

12V 62A ALTERNATOR, TX 993-00179

	DESCRIPTION	PART NO.	QTY.
6.	PLAIN WASHER 5/16	064-06612/009	2
13.	ADAPTOR	000-00731	1
14.	OIL PRESSURE SWITCH	000-05659	1
15.	ALTERNATOR	389554	1
16.	FAN SPACER	000-03036	1
17.	ALTERNATOR FAN	274193	1
18.	POLY-V BELT	000-03386	1
19.	ALTERNATOR BRACKET	000-03384	1
20.	BOLT 3/8 UNF X 4	270-00245	1
21.	SPRING WASHER 3/8	027-00393	1
22.	NUT 3/8 UNF	270-00004	1
23.	ADJUSTING STRAP	000-03383	1
24.	BOLT M8 X 25	272-00040	7
25.	SPRING WASHER M8	272-00071	3
26.	PLAIN WASHER	000-03166	1
27.	NUT M8	272-00003	2
28.	PULLEY	000-03869	1
29.	ADJUSTING BRACKET	000-03927	1
	NOT SHOWN:		
	WIRING HARNESS	000-03696	1
	WIRE 14 GA.	101-00400	1
	TERMINAL #10	101-00402	2
	NUT M6	272-00002	1
	SPRING WASHER M6	786004	1

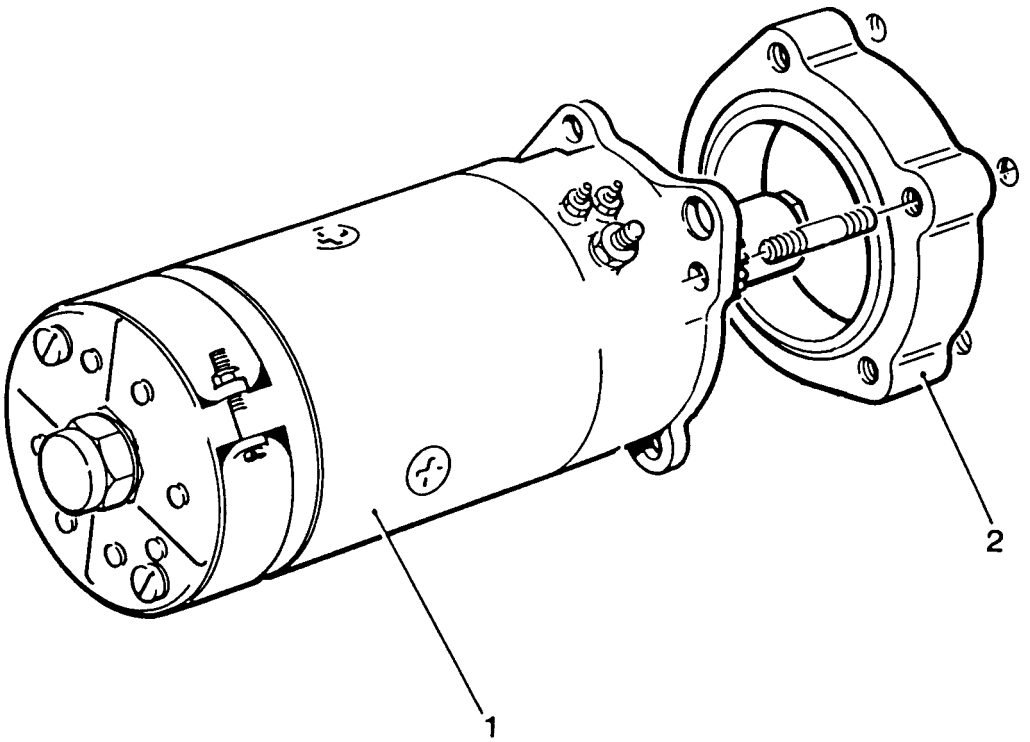


STARTING & CHARGING — T RANGE

T RANGE STARTING & CHARGING

SPRING STARTER, TR/S/X 993-00221

	DESCRIPTION	PART NO.	QTY.
1.	SPRING STARTER	000-04264	1
2.	STARTER SPACER	570-31760	1

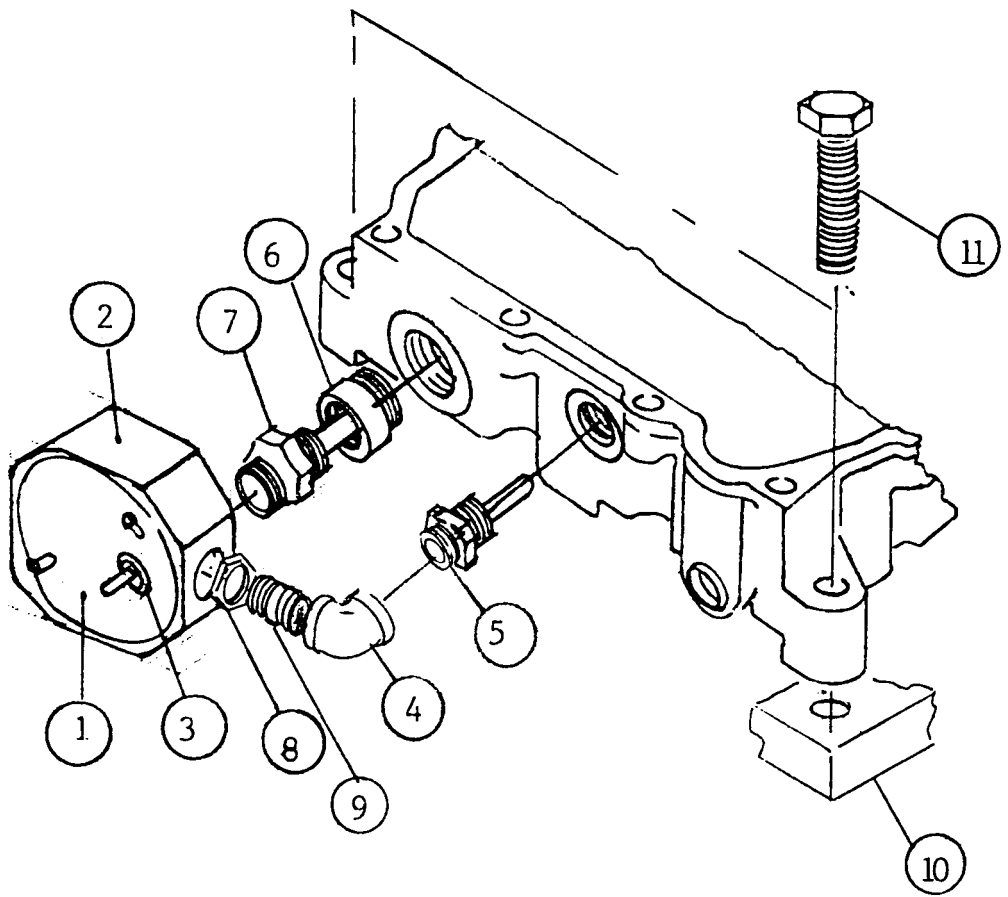


STARTING & CHARGING - T RANGE

T RANGE STARTING AIDS

120V SUMP HEATER & THERMOSTAT 993-00170

	DESCRIPTION	PART NO.	QTY.
1.	BOX COVER	000-03337	1
2.	CONDUIT BOX	000-03336	1
3.	TOGGLE SWITCH	064-07876	1
4.	ELBOW	000-01629	1
5.	THERMOSTAT	000-02135	1
6.	REDUCER BUSHING	000-03295	1
7.	IMMERSION HEATER	000-03335	1
8.	JAM NUT	000-01302	1
9.	PIPE NIPPLE	000-01628	1
10.	ENGINE SPACER KIT	000-02232	1
11.	BOLT M12 X 85	272-00273	2
12.	BOLT M12 X 70	272-00185	2

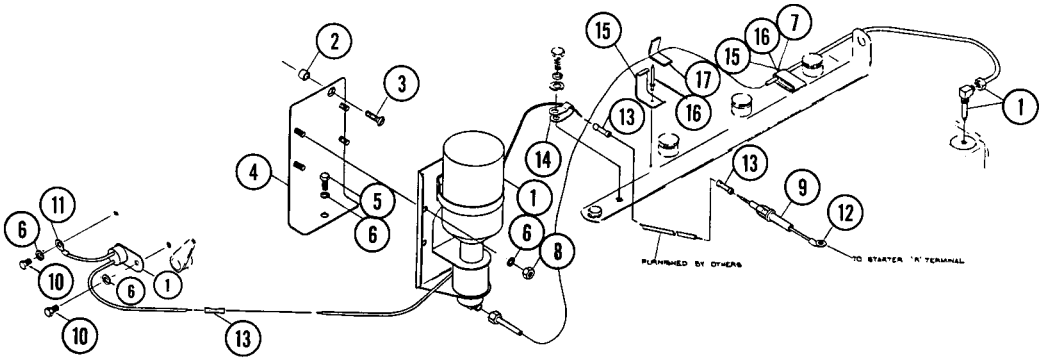


STARTING AIDS - T RANGE

T RANGE STARTING AIDS

AUTOMATIC ETHER START KIT, TR/S 993-00093

	DESCRIPTION	PART NO.	QTY.
1.	ETHER KIT	000-01865	1
2.	DISTANCE PIECE	024-05394	1
3.	FLAT HEAD SCREW M6 X 25	000-01862	1
4.	MOUNTING BRACKET	000-01861	1
5.	BOLT M6 X 16	272-00034	1
6.	SPRING WASHER ¼	027-04680	6
7.	PACKING PIECE	000-02680	2
8.	NUT ¼ UNF	270-00002	4
9.	FUSE HOLDER	101-00405	1
10.	BOLT M6 X 12	272-00032	2
11.	TERMINAL ¼	101-00403	1
12.	TERMINAL #10	101-00402	1
13.	BUTT CONNECTOR	101-00404	3
14.	CABLE CLAMP	000-00808	4
15.	CLIP	354-28041	2
16.	POP RIVET	000-00671	2

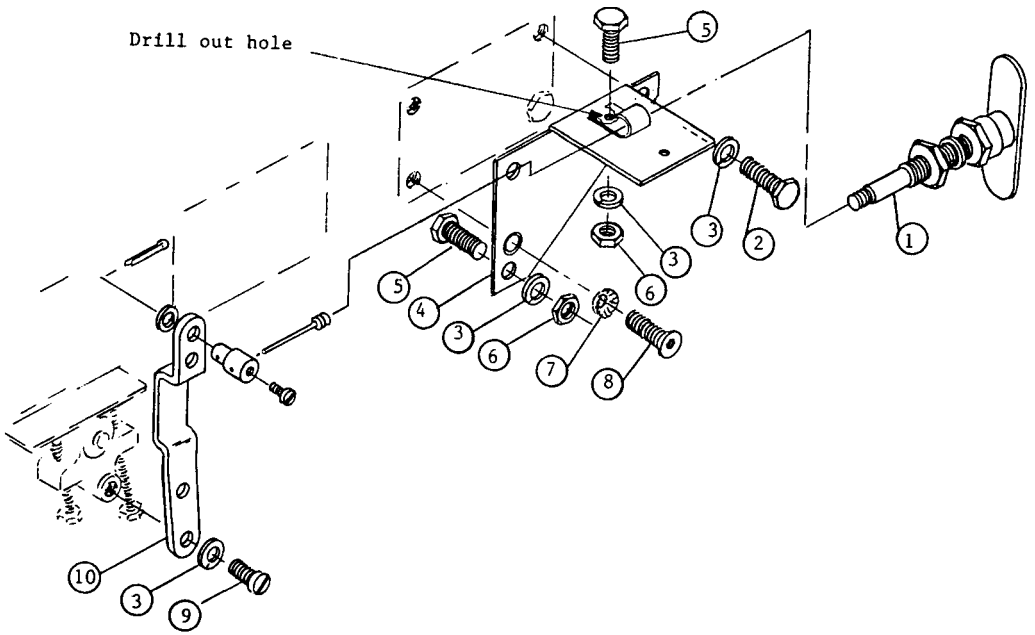


STARTING AIDS - T RANGE

T RANGE SPEED CONTROLS

SPEED CONTROL CABLE, 3 FT. 993-00046
SPEED CONTROL CABLE, 6 FT. 993-00060

	DESCRIPTION	PART NO.	QTY.	
			12V	24V
1.	CABLE, 6FT.	000-01742	1	-
	CABLE, 3FT.	000-01554	-	1
2.	BOLT M6 X 20	272-00117	2	2
3.	SPRING WASHER M6	786004	5	5
4.	BRACKET	000-02278	1	1
5.	BOLT M6 X 16	272-00034	2	2
6.	NUT M6	272-00002	2	2
7.	LOCK WASHER	272-00382	1	1
8.	FLAT HEAD SCREW M6	272-00383	1	1
9.	SCREW M6 X 12	272-00120	1	1
10.	LEVER	000-02279	1	1

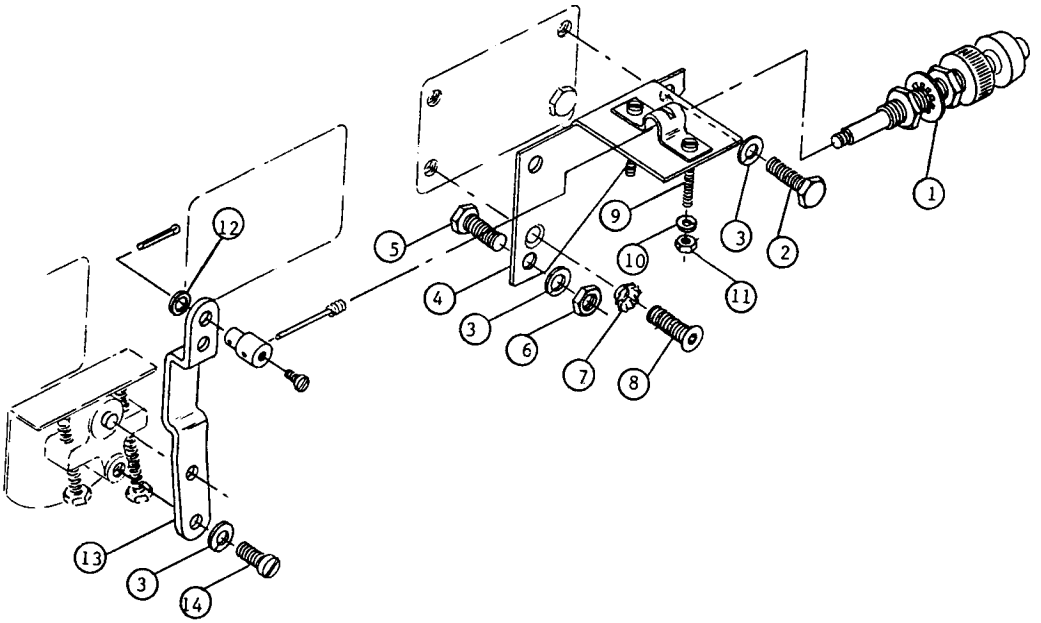


SPEED CONTROLS - T RANGE

T RANGE SPEED CONTROLS

VERNIER SPEED CONTROL CABLE 993-00080

	DESCRIPTION	PART NO.	QTY.
1.	CABLE ASSEMBLY	000-01814	1
2.	BOLT M6 X 20	272-00117	2
3.	SPRING WASHER M6	786004	4
4.	BRACKET	000-02278	1
5.	BOLT M6 X 16	272-00034	1
6.	NUT M6	272-00002	1
7.	LOCK WASHER	272-00382	1
8.	FLAT HEAD SCREW M6	272-00383	1
9.	SCREW 10-32 X 3/4	270-00183	2
10.	SPRING WASHER 3/16	000-03007	2
11.	NUT 10-32	270-00001	2
12.	PLAIN WASHER BRASS	101-00607	1
13.	LEVER	000-02279	1
14.	SCREW M6 X 12	272-00120	1

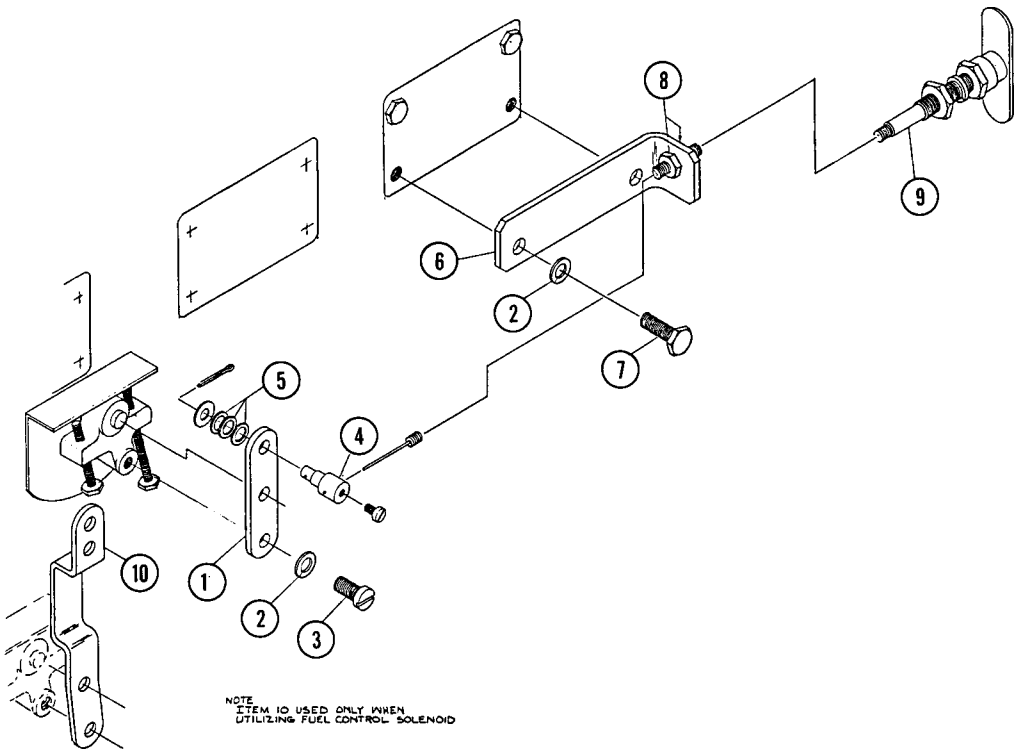


SPEED CONTROLS - T RANGE

T RANGE SPEED CONTROLS

SPEED CONTROL CABLE, 6FT. 993-00002

	DESCRIPTION	PART NO.	QTY.
1.	CONTROL LEVER	000-01558	1
2.	SPRING WASHER M6	786004	3
3.	SCREW M6 X 12	272-00120	1
4.	PIVOT	000-00200	1
5.	WASHER ¼ BRASS	101-00607	3
6.	BRACKET	000-01559	1
7.	BOLT M6 X 20	272-00117	2
8.	JAM NUT	000-00199	2
9.	CABLE	000-00203	1
10.	CONTROL LEVER	000-02279	1



SPEED CONTROLS - T RANGE

T RANGE SPEED CONTROLS

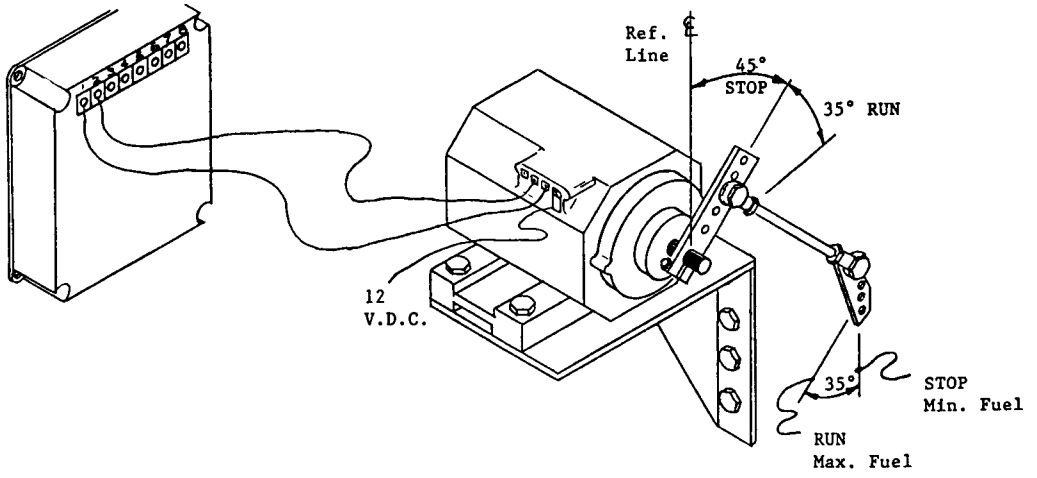
ELECTRONIC GOVERNOR

WITHOUT REMOTE SPEED CONTROL 993-00073

DESCRIPTION	PART NO.	QTY.
ELECTRONIC GOVERNOR KIT	000-01797	1

WITH REMOTE SPEED CONTROL 993-00074

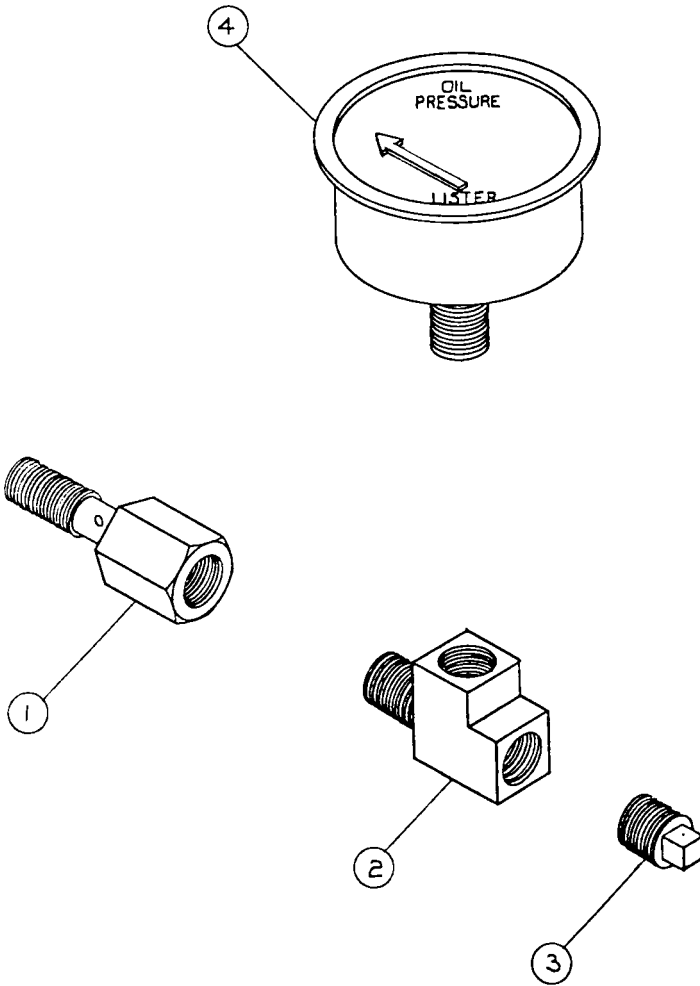
DESCRIPTION	PART NO.	QTY.
ELECTRONIC GOVERNOR KIT	000-01798	1



T RANGE INSTRUMENTS & PANELS

LUBE OIL PRESSURE GAUGE 993-00013

	DESCRIPTION	PART NO.	QTY.
1.	ADAPTOR	000-00731	1
2.	STREET TEE 1/8 NPT	000-00793	1
3.	PLUG 1/8 NPT	101-00002	1
4.	OIL PRESSURE GAUGE	000-00635	1



INSTRUMENTS & PANELS — T RANGE

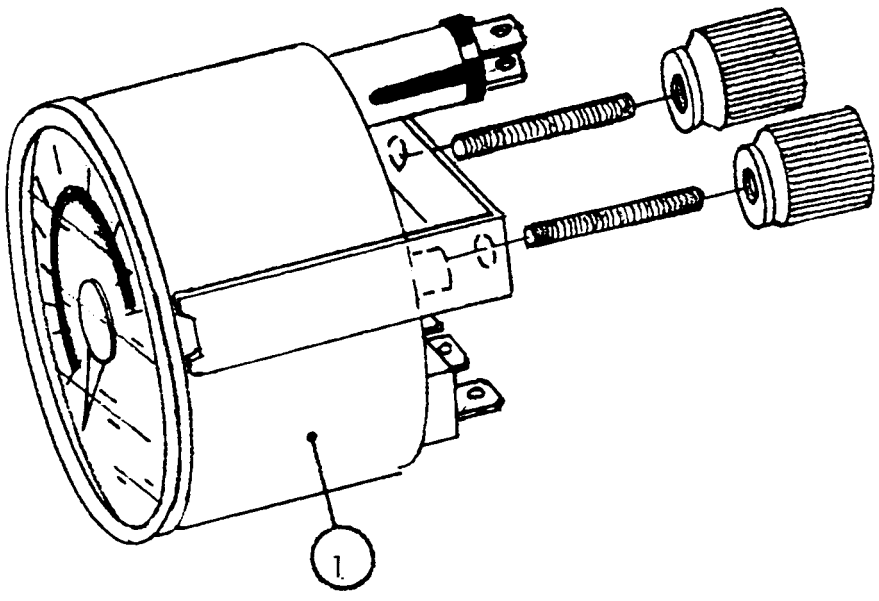
T RANGE INSTRUMENTS & PANELS

TACHOMETER, LOOSE 993-00014

	DESCRIPTION	PART NO.	QTY.
1.	TACHOMETER	000-01635	1

TACH/HOUR METER, LOOSE 993-00051

	DESCRIPTION	PART NO.	QTY.
1.	TACH/HOUR METER	000-01776	1



T RANGE INSTRUMENTS & PANELS

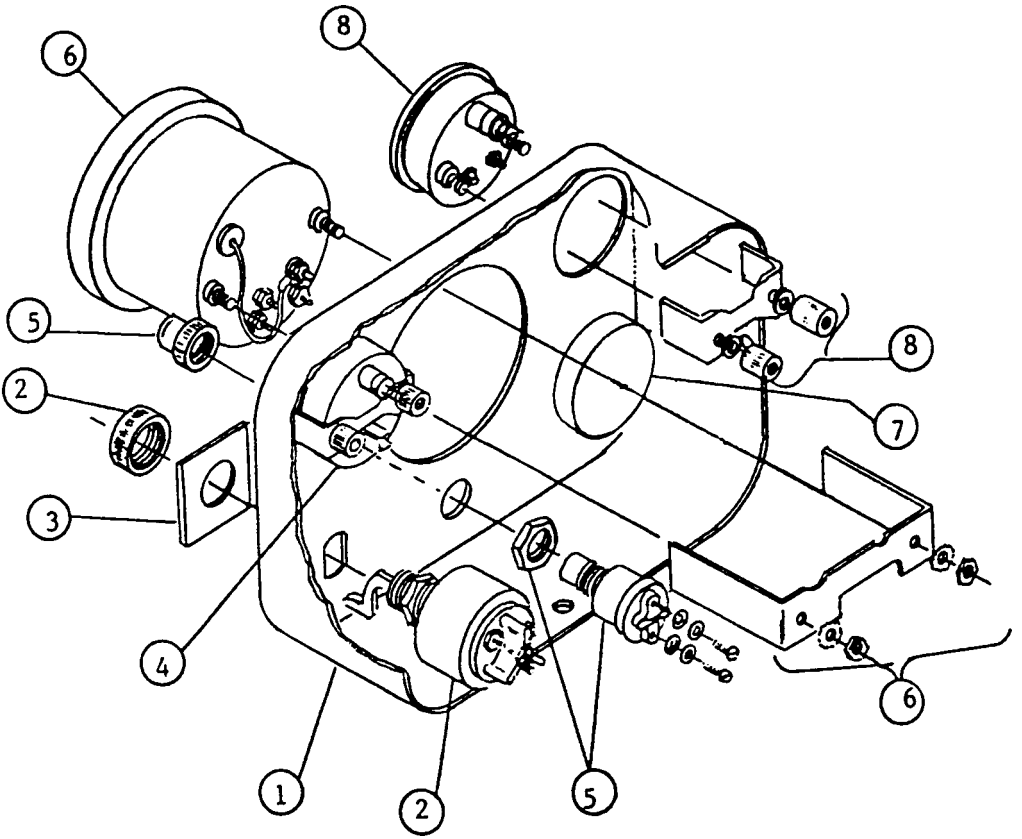
RATIONALISED PANEL, TR/S2/3 993-00175
 RATIONALISED PANEL, TX 993-00173

	DESCRIPTION	PART NO.	QTY.	
			TX	TR/S
1.	INSTRUMENT PANEL	000-03345	1	1
2.	ROTARY SWITCH	000-02034	1	1
3.	LEGEND PLATE	000-03489	1	1
4.	OIL PRESSURE GAUGE	000-02437	1	1
5.	PUSH BUTTON SWITCH	000-00031	1	1
6.	TACH/HR. METER	000-00005	1	1
7.	BLANKING PLUG	000-02933	1	1
8.	AMMETER	000-03307	1	1
NOT SHOWN:				
	WIRING HARNESS - PANEL	000-03597	1	1
	WIRING HARNESS - ENGINE	000-03598	1	1
	HIGH TEMPERATURE SWITCH	570-32390	-	1
		570-34790	1	-
	12V, 62A ALTERNATOR	993-00238	-	1
		993-00179	1	-
	FUEL CONTROL SOLENOID	993-00045	1	1
	STREET TEE 1/8 NPT	000-00793	1	1
	OIL PRESSURE SENDER	000-02438	1	1

TO MOUNT PANEL ON ENGINE, SEE "PANEL MOUNTING" (NEXT PAGE).

TO MOUNT PANEL REMOTE FROM ENGINE, USE EXTENSION CABLES,
 P/N 000-06448, 3½ FT. P/N 000-03596, 10 FT. P/N 000-04477, 15 FT.

FOR TX ENGINES, PANEL CAN BE SUPPLIED WITH A TEMPERATURE GAUGE.
 USE KIT NO. 993-00200 INSTEAD OF 993-00173 ABOVE.



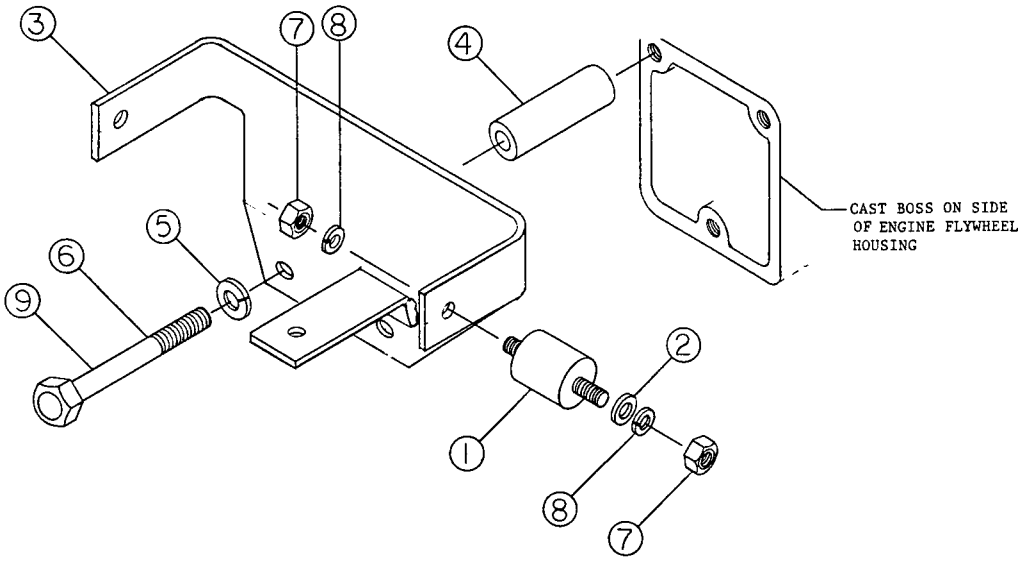
INSTRUMENTS & PANELS - T RANGE

T RANGE INSTRUMENTS & PANELS

PANEL MOUNTING, 1 CYL. 993-00177

PANEL MOUNTING, 2/3 CYL. 993-00174

	DESCRIPTION	PART NO.	QTY.	
1.	ANTI/VIBRATION MOUNT	000-02682	3	3
2.	PLAIN WASHER	000-03008	2	2
3.	BRACKET	000-03346	1	1
4.	DISTANCE PIECE	000-04637	-	2
5.	SPRING WASHER M10	272-00072	2	2
6.	BOLT M10 X 75	272-00129	-	2
7.	NUT ¼ UNC	756606	6	6
8.	SPRING WASHER ¼	786078	6	6
9.	BOLT M10 X 25	272-00067	2	-



INDTRUMENTS & PANELS - T RANGE

