

HR2/3 SUPPLEMENTARY ACCESSORY PARTS LIST

INDEX

| DESCRIPTION | KIT NO. | PAGE |
|---|-----------|------|
| ADAPTORS | | |
| SAE#3 | 572-51720 | 6 |
| SAE#4 | 572-51730 | 8 |
| CLUTCH | | |
| Clutch Drive C110 | 997-00035 | 6 |
| Clutch Drive C108 | 997-00021 | 6 |
| Twin Disc C108HP4 | 997-00004 | 8 |
| ELECTRIC STARTING | | |
| 12 Volt Electric Start w/Push Button Switch and Ammeter Complete | 997-00005 | 12 |
| 12 Volt Start Motor and Spacer | 997-00009 | 12 |
| Spacer & Fitting Kit | 657-21970 | 12 |
| Alternator Fitting Kit | 997-00026 | 12 |
| 24 Volt Electric Start w/Push Button Switch and Ammeter Complete | 997-00006 | 16 |
| 24 Volt Start Motor and Spacer | 977-00008 | 16 |
| Alternator Fitting Kit | 657-18043 | 16 |
| FUEL CONTROLS-AUTOMATIC | | |
| Energize to Run Solenoid | 997-00025 | 20 |
| Energize to Stop Solenoid | 997-00023 | 22 |
| Two Speed Control Solenoid | 997-00031 | 24 |
| FUEL FITTINGS | | |
| Fuel Inlet and Return Connector to 1/8" NPT | 998-00123 | 28 |
| GUARDS | | |
| Shaft Guard-Gear End | 997-00016 | 30 |
| Alternator Drive Belt Guard Kit | 997-00027 | 32 |
| LDI - Alternator Belt Guard Kit | 997-00044 | 34 |
| INSTRUMENTS | | |
| Tachometer- Hour Meter | 998-00013 | 36 |
| Oil Pressure Gauge | 997-00015 | 38 |
| TEMPERATURE SWITCH | | |
| High Air Temperature Switch N/O | 998-00142 | 40 |
| High Air Temperature Switch N/C | 998-00134 | 40 |

This page is intentionally left blank

This page is intentionally left blank

This page is intentionally left blank

This page is intentionally left blank

HR2/3 CLUTCH DRIVE MEMBER - C110 & C108

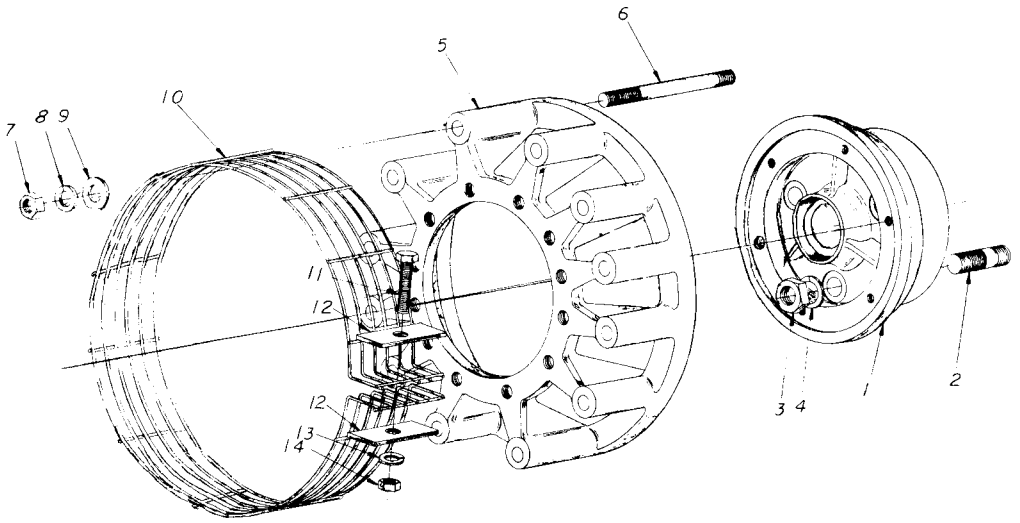
C110 CLUTCH DRIVE MEMBER ASS'Y 997-00035

| | DESCRIPTION | PART NO. | QTY |
|-----|---------------------------------|------------------|-----|
| 1. | 10" CLUTCH DRIVE MEMBER | 000-00519 | 1 |
| 2. | STUD - 5/8" UNF X 2" Lg. | 270-00143 | 3 |
| 3. | NUT - 5/8" UNF | 270-00008 | 3 |
| 4. | SPRING WASHER - 5/8" | 027-00395 | 3 |
| | SAE #3 ADAPTOR KIT | 572-51720 | |
| 5. | ADAPTOR - SAE# | 382-00216 | 1 |
| 6. | SWITCH - 7/16" UNC/UNF X 4-1/4" | 270-00394 | 12 |
| 7. | NUT - 7/16" UNC/UNF X 4-1/4" | 270-00005 | 12 |
| 8. | SPRING WASHER - 7/16" | 027-00984 | 12 |
| 9. | PLAIN WASHER - 7/16" | 027-00545 | 12 |
| 10. | GUARD | 352-12971 | 2 |
| 11. | PINCH BOLT- 5/16" UNF X 2-1/4" | 270-00066 | 1 |
| 12. | CLAMPING PLATE | 382-05041 | 2 |
| 13. | SPRING WASHER - 5/16" | 027-00413 | 1 |
| 14. | NUT - 5/16" UNF | 270-00003 | 1 |

*C108 CLUTCH DRIVE MEMBER ASS'Y 997-00021

| | DESCRIPTION | PART NO. | QTY |
|----|--------------------------|-----------|-----|
| 1. | 8" CLUTCH DRIVE MEMBER | 364-02107 | 1 |
| 2. | STUD - 5/8" UNF X 2" Lg. | 270-00143 | 3 |
| 3. | NUT - 5/8" UNF | 270-00008 | 3 |
| 4. | SPRING WASHER - 5/8" | 027-00395 | 3 |

*NOTE:C108 CLUTCH DRIVE MEMBER ASS'Y DOES NOT INCLUDE SAE ADAPTOR.



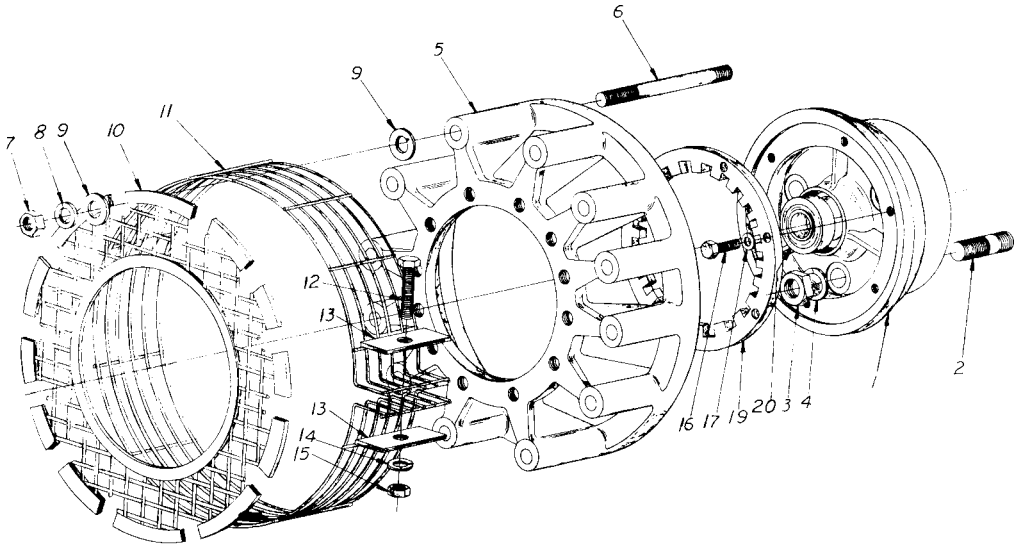
1-2570/1

CLUTCH DRIVE MEMBER — C110 & C108 — HR2/3

HR2/3 C-198HP4 TWIN DISC CLUTCH

CLUTCH - TWIN DISC - C108HP4 KIT 997-00004

| DESCRIPTION | PART NO. | QTY |
|---|------------------|-----|
| CLUTCH DRIVE MEMBER ASSEMBLY | 997-00021 | |
| 1. DRIVE MEMBER - Clutch 8" | 364-02107 | 1 |
| 2. STUD - 5/8" UNF X 2"Lg. | 270-00143 | 3 |
| 3. NUT - 5/8" UNF | 270-00008 | 3 |
| 4. SPRING WASHER - 5/8" | 072-00395 | 3 |
| | | |
| SAE #4 ADAPTOR KIT | 572-51730 | |
| 5. ADAPTOR - SAE# | 382-00143 | 1 |
| 6. STUD - 7/16" UNC/UNF X 4-1/4" Lg. | 270-00394 | 12 |
| 7. NUT - 7/16" UNF | 270-00005 | 12 |
| 8. SPRING WASHER - 7/16" | 027-00984 | 12 |
| 9. PLAIN WASHER - 7/16" | 027-00545 | 24 |
| 10. GUARD - Adaptor | 382-00145 | 1 |
| 11. GUARD - Adaptor | 382-00144 | 1 |
| 12. PINCH BOLT - 5/16" UNF X 2-1/4" Lg. | 270-00066 | 1 |
| 13. CLAMPING PLATE | 382-05041 | 2 |
| 14. SPRING WASHER - 5/16" | 027-00413 | 1 |
| 15. NUT - 5/16" UNF | 270-00003 | 1 |
| 16. SCREW - 3/8"UNF X 1-1/4" Lg. | 270-00074 | 6 |
| 17. SPRING WASHER - 3/8" | 027-00393 | 6 |
| 18. CLUTCH - Twin Disc | 000-00061 | 1 |
| 19. DRIVING RING | W/CLUTCH | 1 |
| 20. BEARING | W/CLUTCH | 1 |
| 21. HAND LEVER | W/CLUTCH | 1 |
| 22. SCREW - 3/8" UNC X 1" Lg. | 270-00288 | 12 |
| 23. SPRING WASHER - 3/8" | 027-00393 | 12 |



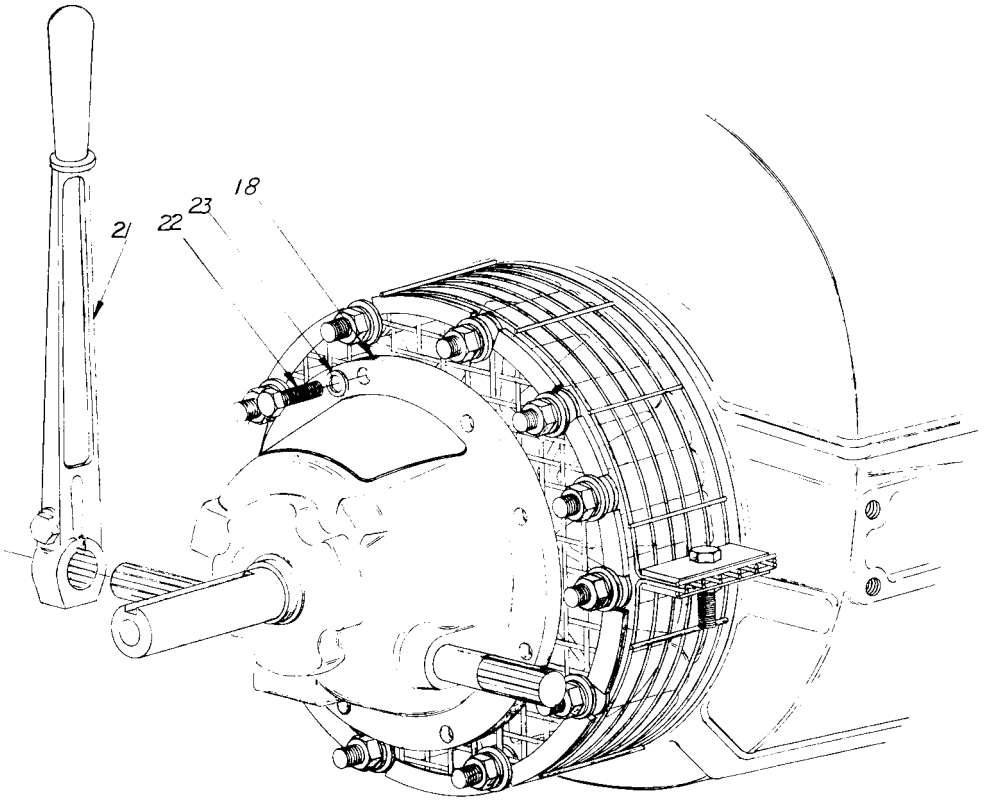
1-2570/2

C-198HP4 TWIN DISC CLUTCH — HR2/3

HR2/3 C-198HP4 TWIN DISC CLUTCH

CLUTCH - TWIN DISC - C108HP4 KIT 997-00004

| DESCRIPTION | PART NO. | QTY |
|---|------------------|-----|
| CLUTCH DRIVE MEMBER ASSEMBLY | 997-00021 | |
| 1. DRIVE MEMBER - Clutch 8" | 364-02107 | 1 |
| 2. STUD - 5/8" UNF X 2"Lg. | 270-00143 | 3 |
| 3. NUT - 5/8" UNF | 270-00008 | 3 |
| 4. SPRING WASHER - 5/8" | 072-00395 | 3 |
| | | |
| SAE #4 ADAPTOR KIT | 572-51730 | |
| 5. ADAPTOR - SAE# | 382-00143 | 1 |
| 6. STUD - 7/16" UNC/UNF X 4-1/4" Lg. | 270-00394 | 12 |
| 7. NUT - 7/16" UNF | 270-00005 | 12 |
| 8. SPRING WASHER - 7/16" | 027-00984 | 12 |
| 9. PLAIN WASHER - 7/16" | 027-00545 | 24 |
| 10. GUARD - Adaptor | 382-00145 | 1 |
| 11. GUARD - Adaptor | 382-00144 | 1 |
| 12. PINCH BOLT - 5/16" UNF X 2-1/4" Lg. | 270-00066 | 1 |
| 13. CLAMPING PLATE | 382-05041 | 2 |
| 14. SPRING WASHER - 5/16" | 027-00413 | 1 |
| 15. NUT - 5/16" UNF | 270-00003 | 1 |
| 16. SCREW - 3/8"UNF X 1-1/4" Lg. | 270-00074 | 6 |
| 17. SPRING WASHER - 3/8" | 027-00393 | 6 |
| 18. CLUTCH - Twin Disc | 000-00061 | 1 |
| 19. DRIVING RING | W/CLUTCH | 1 |
| 20. BEARING | W/CLUTCH | 1 |
| 21. HAND LEVER | W/CLUTCH | 1 |
| 22. SCREW - 3/8" UNC X 1" Lg. | 270-00288 | 12 |
| 23. SPRING WASHER - 3/8" | 027-00393 | 12 |



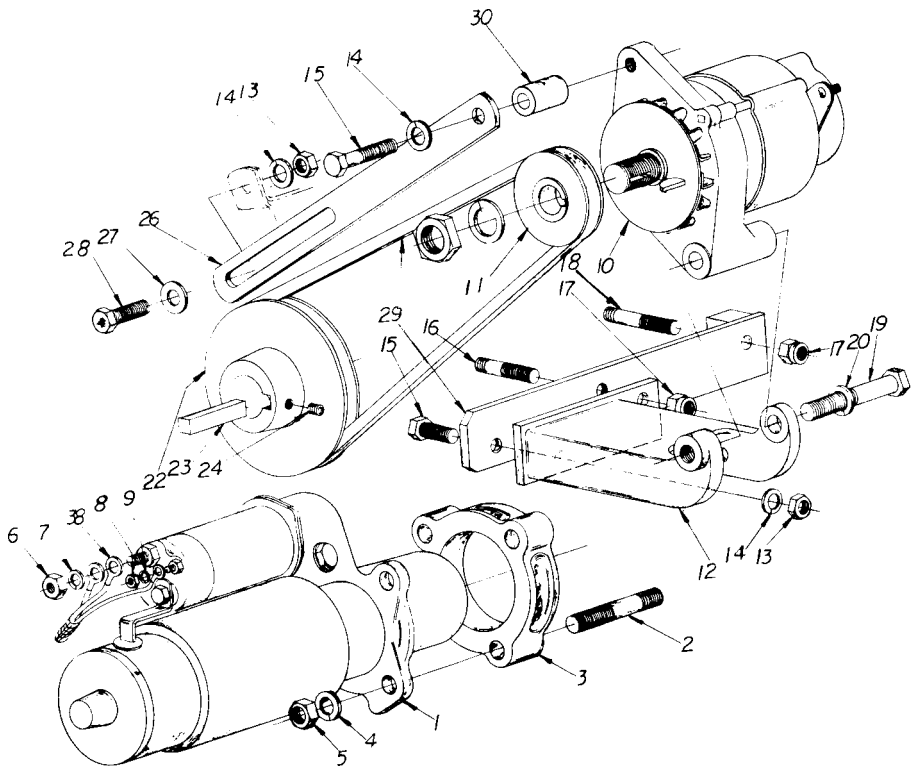
1-2570/2

C-198HP4 TWIN DISC CLUTCH — HR2/3

HR2/3 ELECTRIC STARTING ASSEMBLY - 12V MOTOROLA ALTERNATOR & DELCO STARTER

12V ELECTRICAL STARTING KIT 997-00005

| | DESCRIPTION | PART NO. | QTY |
|-----|--|------------------|-----|
| | 12 VOLT ELECTRIC START MOTOR ONLY WITH SPACER KIT | 997-00009 | |
| 1. | STARTER MOTOR | 000-00020 | 1 |
| | SPACER & FIXING KIT | 657-21970 | |
| 2. | STUD - 3/8" UNF X 3" Lg. | 270-00323 | 3 |
| 3. | SPACER | 351-10880 | 1 |
| 4. | SPRING WASHER - 3/8" | 027-00393 | 3 |
| 5. | NUT - 3/8" UNF | 270-00004 | 3 |
| 6. | NUT - 3/8" UNC, Brass | 000-00562 | 1 |
| 7. | SPRING WASHER - Starter | 064-02582/E | 1 |
| 8. | NUT- Starter, #8 - 32 | 101-00600 | 1 |
| 9. | SPRING WASHER - Starter | 064-02582/A | 1 |
| 10. | ALTERNATOR - With Fan | 000-00032 | 1 |
| 11. | PULLEY - Alternator | 000-00040 | 1 |
| | ALTERNATOR & STARTER FITTING KIT | 997-00026 | |
| 12. | MOUNTING BRACKET- Alternator | 382-02553 | 1 |
| 13. | NUT - 5/16" UNF | 270-00003 | 1 |
| 14. | SPRING WASHER - 5/16" | 027-00413 | 5 |
| 15. | BOLT - Alternator, 5/16" UNF X 1-1/2" Lg. | 270-00410 | 1 |
| 16. | STUD - 5/16" UNF X 1-1/2" Lg. | 270-00083 | 1 |
| 17. | NUT - Self Locking, 5/16" UNF | 270-00154 | 2 |
| 18. | STUD- 5/16" UNF X 1-3/4" Lg. | 270-00084 | 1 |
| 19. | BOLT- Hex Head, 3/8" UNF X 3" Lg. | 270-00149 | 1 |
| 20. | SPRING WASHER - 3/8" | 027-00393 | 1 |
| 21. | MOUNTING PLATE - Alternator | 382-02552 | 1 |



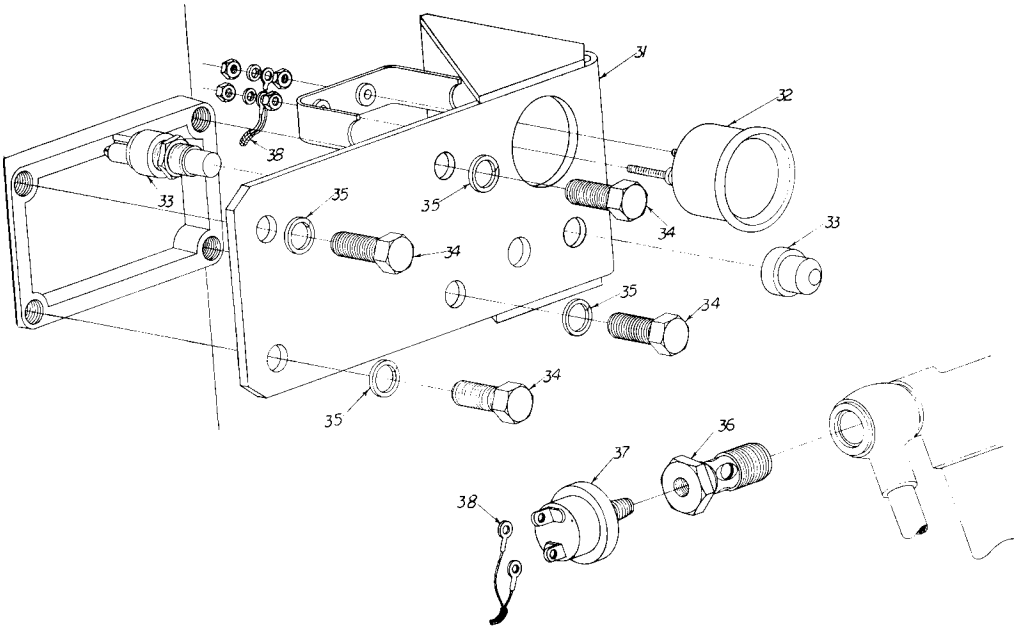
**ELECTRIC STARTING ASSEMBLY—
12 V. MOTOROLA ALTERNATOR & DELCO STARTER—HR2/3**

1-2868/10

HR2/3 ELECTRIC STARTING ASSEMBLY - 12V MOTOROLA ALTERNATOR & DELCO STARTER

ALTERNATOR & STARTING FITTING KIT - (continued)

| DESCRIPTION | PART NO. | QTY |
|--|-----------|-----|
| 22. PULLEY - Crankshaft | 000-00357 | 1 |
| 23. KEY - Crankshaft Pulley | 027-05784 | 1 |
| 24. SOCKET SETSCREW - Crankshaft Pulley 3/8" UNF X 3/8" Lg. | 270-00225 | 1 |
| 25. V-BELT | 351-12320 | 1 |
| 26. ADJUSTING LINK | 351-12400 | 1 |
| 27. PLAIN Washer - 5/16" | 027-00082 | 1 |
| 28. BOLT- Hex Head, 5/16" UNF X 3/4" Lg. | 270-00060 | 1 |
| 29. BOLT- Hex Head, 5/16" UNF X 1" Lg. | 270-00061 | 1 |
| 30. DISTANCE PIECE - Alternator | 351-16621 | 1 |
| 31. BRACKET - Ammeter | 000-00787 | 1 |
| 32. AMMETER | 000-00030 | 1 |
| 33. SWITCH - Push Button | 000-00031 | 1 |
| 34. SCREW - Bracket, 1/2" UNC X 1" Lg. | 270-00591 | 4 |
| 35. SPRING WASHER - 1/2" | 027-00394 | 4 |
| 36. PLUG - Oil Pressure Switch | 000-00225 | 1 |
| 37. SWITCH - Pressure | 000-00033 | 1 |
| 38. WIRING HARNESS | 000-00295 | 1 |



1-2591/9

ELECTRIC STARTING ASSEMBLY — 12 V. MOTOROLA ALTERNATOR & DELCO STARTER — HR2/3

HR2/3 24 VOLT ELECTRIC START WITH DELCO STARTER & MOTOROLA ALTERNATOR

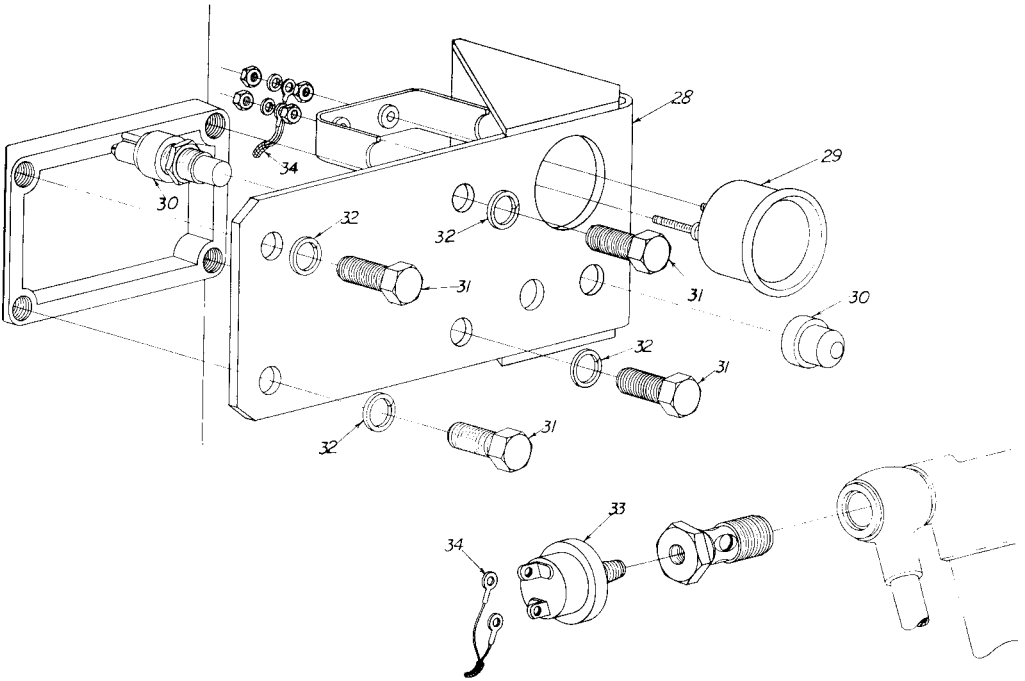
STARTER AND MOTOROLA ALTERNATOR KIT 997-00006

| | DESCRIPTION | PART NO. | QTY |
|-----|--|------------------|-----|
| | 24 VOLT ELECTRIC START MOTOR ONLY WITH SPACER KIT | 997-00008 | |
| 1. | START MOTOR | 000-00022 | 1 |
| | SPACER FIXING KIT | 657-28170 | |
| 2. | STUD - 3/8" UNF/UNC X 3" Lg. | 270-00323 | 3 |
| 3. | SPRING WASHER - 3/8" | 027-00393 | 3 |
| 4. | DISTANCE PIECE | 351-10880 | 1 |
| 5. | NUT - 3/8" UNF | 270-00004 | 1 |
| | ALTERNATOR FITTING KIT | 657-18043 | |
| 6. | ALTERNATOR MOUNTING PLATE | 382-02552 | 1 |
| 7. | ALTERNATOR MOUNTING BRACKET | 382-02553 | 1 |
| 8. | STUD - 5/16" UNF X 1-3/4" Lg. | 270-00084 | 1 |
| 9. | STUD-5/16" UNF X 1-1/2" Lg. | 270-00083 | 1 |
| 10. | SELF LOCKING NUT - 5/16" UNF | 270-00154 | 2 |
| 11. | BOLT - 5/16" UNF X 1" Lg. | 270-00061 | 1 |
| 12. | SPRING WASHER | 027-00413 | 5 |
| 13. | NUT - 5/16" UNF | 270-00003 | 2 |
| 14. | BOLT - 3/8" UNF X 3" Lg. | 270-00149 | 1 |
| 15. | SPRING WASHER - 3/8" | 027-00393 | 1 |
| 16. | ADJUSTING LINK | 351-12400 | 1 |
| 17. | BOLT - 5/16" UNC X 7/8" Lg. | 270-00405 | 1 |
| 18. | PLAIN WASHER - 5/16" | 027-00082 | 1 |
| 19. | DISTANCE PIECE | 351-16621 | 1 |
| 20. | BOLT - 5/16" UNF X 3/4" Lg. | 270-00060 | 1 |
| 21. | DRIVING PULLEY (RAL Ref: #366-02953) | 000-00357 | 1 |
| 22. | DRIVING PULLEY KEY | 027-05784 | 1 |

HR2/3 24 VOLT ELECTRIC START WITH DELCO STARTER & MOTOROLA ALTERNATOR

ALTERNATOR FITTING KIT - (continued)

| DESCRIPTION | PART NO. | QTY |
|---|-----------|-----|
| 23. DRIVING SET SCREW - 3/8" UNF X 3/8" Lg. | 270-00225 | 1 |
| 24. V-BELT | 351-12320 | 1 |
| 25. ALTERNATOR w/Fan | 000-00050 | 1 |
| 26. FAN | 000-00043 | 1 |
| 27. PULLEY | 000-00040 | 1 |
| 28. AMMETER MOUNTING BRACKET | 000-00787 | 1 |
| 29. AMMETER | 000-00030 | 1 |
| 30. SWITCH - Push Button | 000-00031 | 1 |
| 31. CAPSCREW - Bracket Mounting, 1/2" - 13 UNC X 1" Lg. | 270-00591 | 4 |
| 32. LOCKWASHER - 1/2" | 027-00394 | 4 |
| 33. PRESSURE SWITCH | 000-00033 | 1 |
| 34. WIRING HARNESS | 000-00424 | 1 |
| - ALTERNATOR REGULATOR | 000-00052 | 1 |
| - RESISTOR - 150 OHM | 000-00041 | 1 |
| - CABLE | 000-00038 | 1 |
| - CABLE | 000-00201 | 1 |
| - ALTERNATOR SPACER | 000-00001 | 1 |
| - CAPSCREW, Resistor Mounting | 270-00235 | 1 |



1-2591/11

24 VOLT ELECTRIC START WITH DELCO STARTER & MOTOROLA ALTERNATOR — HR2/3

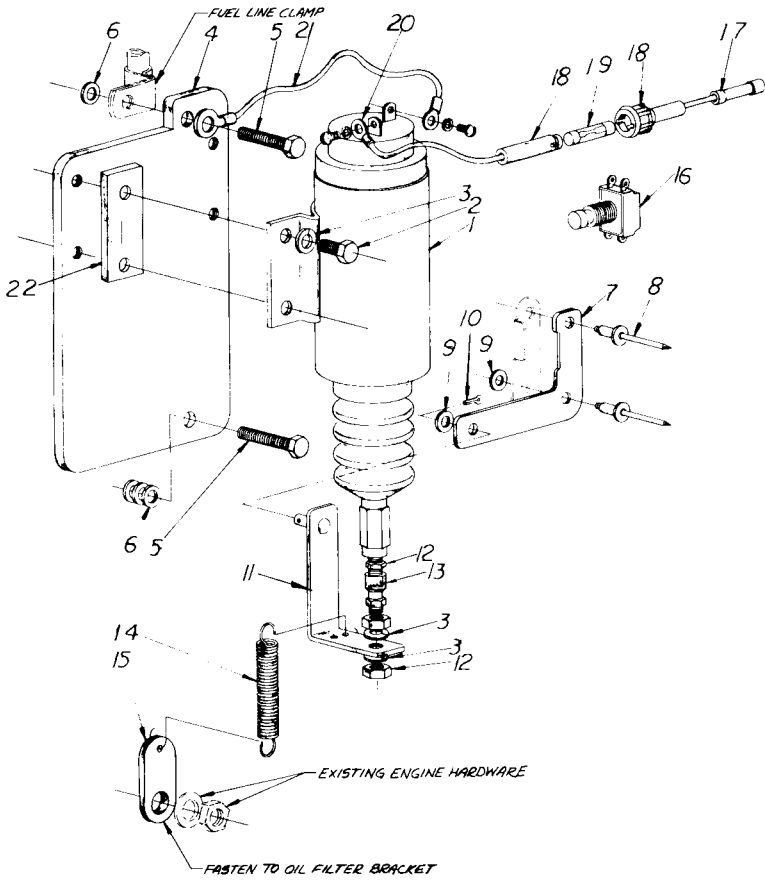
HR2/3 AUTOMATIC FUEL CONTROL SOLENOID - ENERGIZED TO RUN

FUEL CONTROL SOLENOID - ENERGIZED TO RUN 997-00025

| | DESCRIPTION | PART NO. | QTY |
|-----|---|-----------|-----|
| 1. | SOLENOID | 000-00569 | 1 |
| 2. | CAPSCREW- Hex Head, 1/4" UNF X 3/8" Lg. | 270-00294 | 4 |
| 3. | SPRING WASHER - 1/4" | 270-03925 | 6 |
| 4. | PLATE-Mounting, Solenoid | 000-00590 | 1 |
| 5. | SCREW- 3/4 1/4" UNC X 1" Lg. | 270-00262 | 2 |
| 6. | COPPER WASHER - 1/4" | 101-00607 | 4 |
| 7. | LEVER - Shutdown | 000-00591 | 2 |
| 8. | POP RIVET - 3/16" Short | 000-00616 | 2 |
| 9. | FLAT WASHER | 027-01698 | 4 |
| 10. | COTTER PIN | 027-02012 | 1 |
| 11. | LINK - Solenoid | 000-00593 | 1 |
| 12. | NUT - 1/4" UNF | 270-00340 | 3 |
| 13. | IN-LINE SWIVEL | 000-01121 | 1 |
| 14. | SPRING - Return | 000-00633 | 1 |
| 15. | RETAINER - Spring | 000-00592 | 1 |
| 16. | SWITCH - Pushbutton, Shutdown | 000-00723 | 1 |
| 17. | BUTT CONNECTOR | 101-00404 | 1 |
| 18. | FUSE HOLDER - 1/4" Fuse | 000-00526 | 1 |
| 19. | FUSE-10AGC | 000-00526 | 1 |
| 20. | TERMINAL - Ring #10 | 101-00402 | 1 |
| 21. | WIRE LEAD | 000-00599 | 1 |
| 22. | SPACER | 000-01121 | 2 |

(If Above BATTERY CHARGING ALTERNATOR Is Used, Add To Above Kit:)

| | | | |
|---|-------|-----------|---|
| - | DIODE | 000-00044 | 1 |
|---|-------|-----------|---|

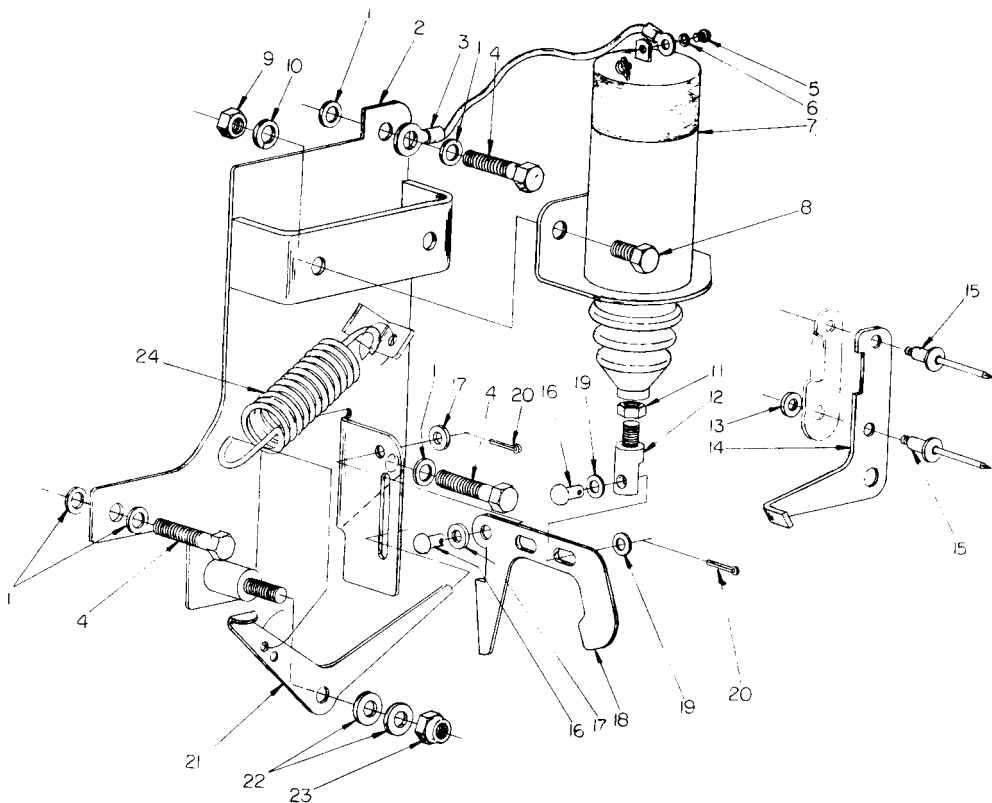


1-2566/8 **AUTOMATIC FUEL CONTROL SOLENOID — ENERGIZED TO RUN — HR2/3**

HR2/3 AUTOMATIC FUEL CONTROL SOLENOID - ENERGIZED TO STOP

12 VDC (ENERGIZED TO STOP) SOLENOID KIT 997-00023

| | DESCRIPTION | PART NO. | QTY |
|-----|---|-------------|-----|
| 1. | JOINT- 1/4", Crankcase Door | 291-26090 | 6 |
| 2. | BRACKET - Solenoid Support | 000-00571 | 1 |
| 3. | WIRE LEAD | 000-00599 | 1 |
| 4. | BOLT - Hex Head, 1/4" UNC X 1" Lg. | 270-00262 | 3 |
| 7. | SOLENOID | 000-00609 | 1 |
| 8. | SCREW - Solenoid Mt., 1/4" UNC X 5/8" Lg. | 270-00285 | 2 |
| 9. | NUT - 1/4" UNC | 000-00615 | 2 |
| 10. | SPRING WASHER - 1/4" | 027-00451 | 2 |
| 11. | NUT - 1/4" UNC | 270-00002 | 1 |
| 12. | CONNECTOR | 366-06846 | 1 |
| 13. | WASHER - 3/16" Plain | 027-01698 | 1 |
| 14. | LEVER - Shutdown | 000-00572 | 1 |
| 15. | POP RIVET - 3/16" Short | 000-00616 | 2 |
| 16. | CLEVIS PIN | 000-00269 | 2 |
| 17. | WASHER - #10SAE | 000-00523 | 2 |
| 18. | LEVER - Trip | 000-00467 | 1 |
| 19. | WASHER - 3/16" Brass | 064-02580/D | 2 |
| 20. | SPLIT PIN -.06" X 1/2" | 064-06722/C | 2 |
| 21. | PIVOT PIN | 000-00570 | 1 |
| 22. | WASHER - 1/4" Plain | 064-06612/F | 2 |
| 23. | NUT - 1/4" Locking | 270-00153 | 1 |
| 24. | SPRING | 064-09688 | 1 |



I-2593/6

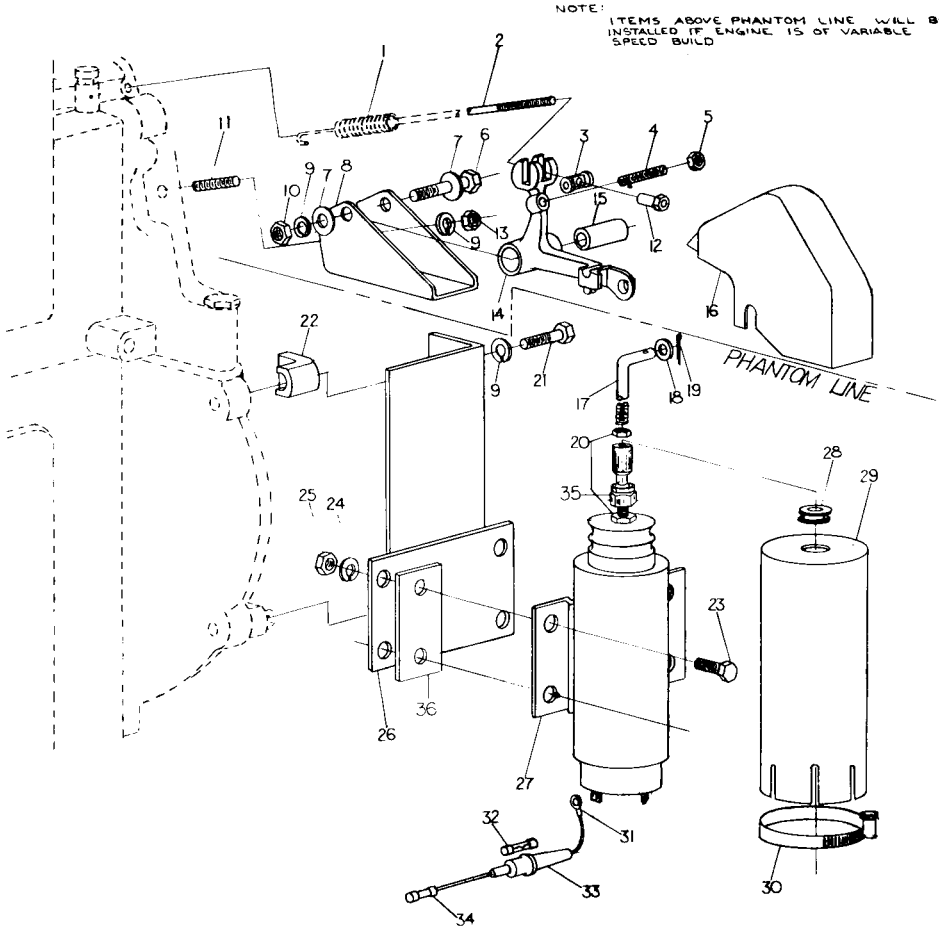
AUTOMATIC FUEL CONTROL SOLENOID— ENERGIZED TO STOP— HR2/3

HR2/3 TWO SPEED CONTROL SOLENOID

TWO SPEED CONTROL SOLENOID ASSEMBLY KIT 997-00031

| | DESCRIPTION | PART NO. | QTY |
|-----|-------------------------------------|-------------|-----|
| 1. | SPEEDER SPRING | 351-11013 | 1 |
| 2. | CONNECTING SPINDLE | 351-12490 | 1 |
| 3. | TRUNNION ASSEMBLY | 572-10120 | 1 |
| 4. | ADJUSTING SCREW | 351-12560 | 1 |
| 5. | NUT - 1/4" UNF | 270-00002 | 1 |
| 6. | BOLT - Brass 5/16" UNF X 1-3/4" Lg. | 270-00370 | 1 |
| 7. | PLAIN WASHER - 5/16" | 064-06612/H | 2 |
| 8. | BRACKET | 351-12511 | 1 |
| 9. | SPRING WASHER - 5/16" | 027-00413 | 3 |
| 10. | NUT-Brass, 5/16" UNF | 270-00014 | 1 |
| 11. | STUD - 5/16" UNF X 1-1/4" Lg. | 270-00242 | 1 |
| 12. | NUT - Adjusting | 291-22310 | 1 |
| 13. | NUT - 5/16" UNF | 270-00003 | 1 |
| 14. | OPERATING LEVER | 000-00804 | 1 |
| 15. | DISTANCE PIECE | 351-16160 | 1 |
| 16. | GUARD ASSEMBLY | 351-16150 | 1 |
| 17. | CONTROL ROD | 000-00785 | 1 |
| 18. | PLAIN WASHER - 1/4" | 064-02580/F | 1 |
| 19. | COTTER PIN - 1/16" Dia. X 1/4" Lg. | 027-02012 | 1 |
| 20. | LOCKNUT - 1/4" UNF | 270-00340 | 1 |
| 21. | BOLT - 5/16" UNF X 1-1/4" Lg. | 270-00182 | 1 |
| 22. | CLAMP - End Cover | 351-11401 | 1 |
| 23. | SCREW -1/4" UNC X 1" Lg. | 270-00262 | 4 |
| 24. | SPRING WASHER -1/4" | 027-00451 | 4 |
| 25. | NUT- 1/4" UNC | 101-00601 | 4 |
| 26. | BRACKET - Solenoid | 000-00786 | 1 |
| 27. | SOLENOID - 12 Volt | 000-00859 | 1 |
| 28. | GROMMET | 000-00810 | 1 |
| 29. | BOOT GUARD | 000-00809 | 1 |
| 30. | HOSE CLAMP | 027-04233 | 1 |
| 31. | TERMINAL | 101-00402 | 1 |
| 32. | FUSE -10AGC | 000-00526 | 1 |
| 33. | FUSE HOLDER | 101-00405 | 1 |

NOTE: ITEMS ABOVE PHANTOM LINE WILL BE INSTALLED IF ENGINE IS OF VARIABLE SPEED BUILD



1-2871/5

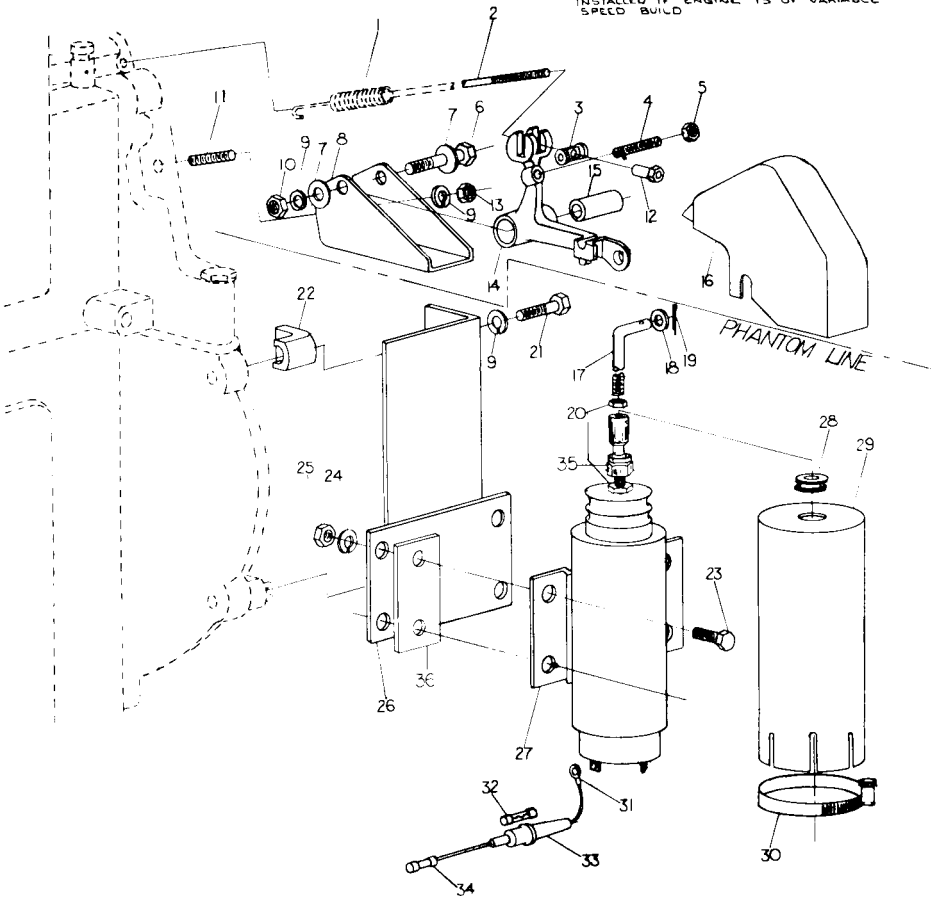
TWO SPEED CONTROL SOLENOID — HR2/3

HR2/3 TWO SPEED CONTROL SOLENOID

TWO SPEED CONTROL SOLENOID ASSEMBLY KIT-(cont')

| | DESCRIPTION | PART NO. | QTY |
|-----|----------------|-----------|-----|
| 34. | BUTT CONNECTOR | 101-00404 | 1 |
| 35. | IN LINE SWIVEL | 000-01121 | 1 |
| 36. | DISTANCE PIECE | 000-01120 | 2 |

NOTE: ITEMS ABOVE PHANTOM LINE WILL BE INSTALLED IF ENGINE IS OF VARIABLE SPEED BUILD



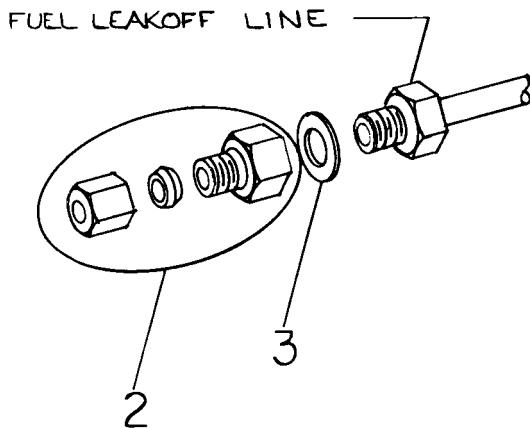
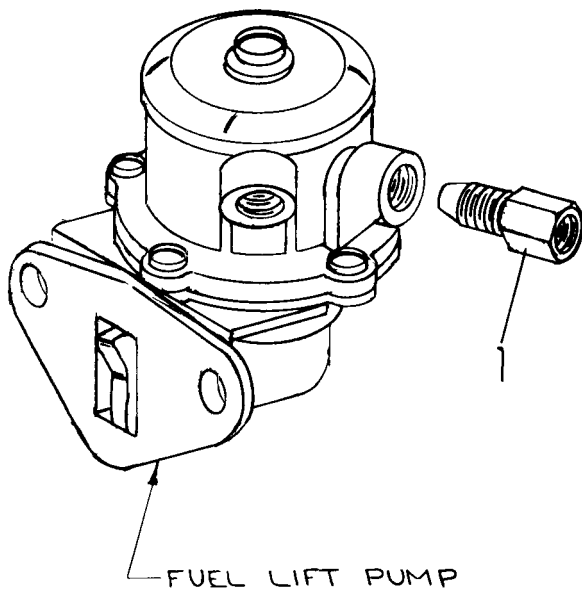
1-2871/5

TWO SPEED CONTROL SOLENOID—HR2/3

HR2/3 FUEL INLET & RETURN CONNECTOR

FUEL INLET AND RETURN CONNECTORS TO 1/8" FEMALE N.P.T. 998-00123

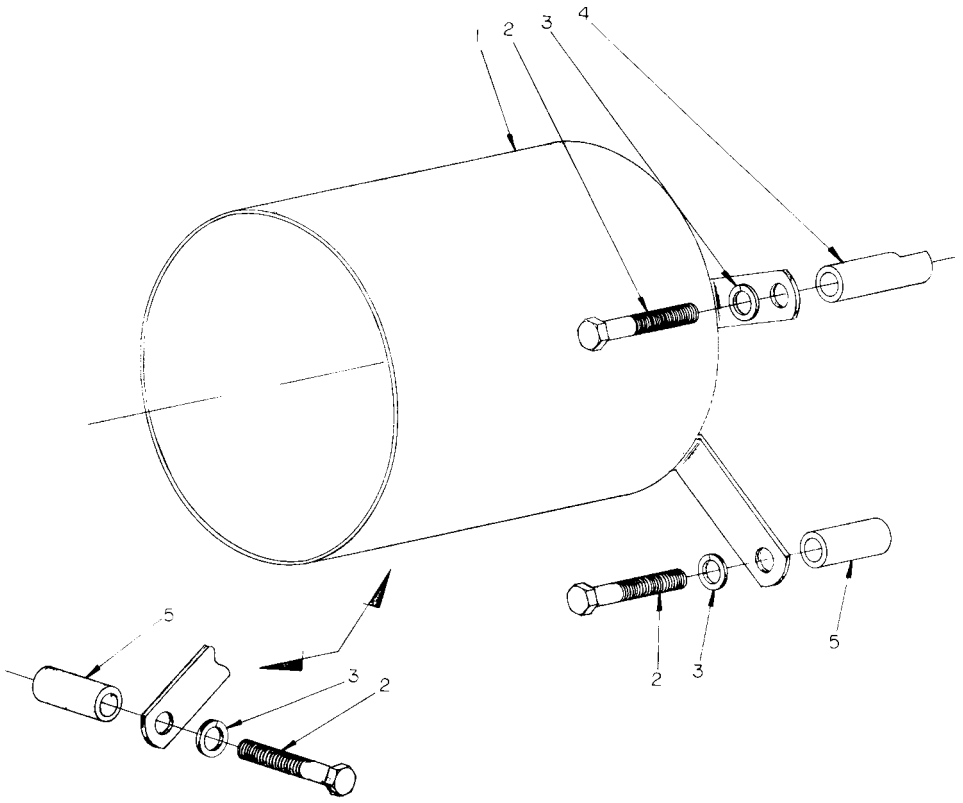
| | DESCRIPTION | PART NO. | QTY |
|----|---------------------------|-----------|-----|
| 1. | FUEL PUMP INLET CONNECTOR | 000-00568 | 1 |
| 2. | FUEL RETURN CONNECTOR | 000-00567 | 1 |
| 3. | GASKET | 600-00106 | 1 |



HR2/3 CAMSHAFT GUARD

SHAFT GUARD - Gear End Kit 997-00016

| | DESCRIPTION | PART NO. | QTY |
|----|---|-----------|-----|
| 1. | GUARD - Shaft | 000-00336 | 1 |
| 2. | BOLT - Hex Head, 5/16" UNF X 2-1/2" Lg. | 270-00067 | 3 |
| 3. | SPRING WASHER - 5/16" | 027-00413 | 1 |
| 4. | DISTANCE PIECE - 5/16" | 000-00477 | 1 |
| 5. | DISTANCE PIECE - 5/16" | 000-00337 | 2 |



1-259714

CAMSHAFT GUARD—HR2/3

HR2/3 ELECTRIC START BELT GUARD

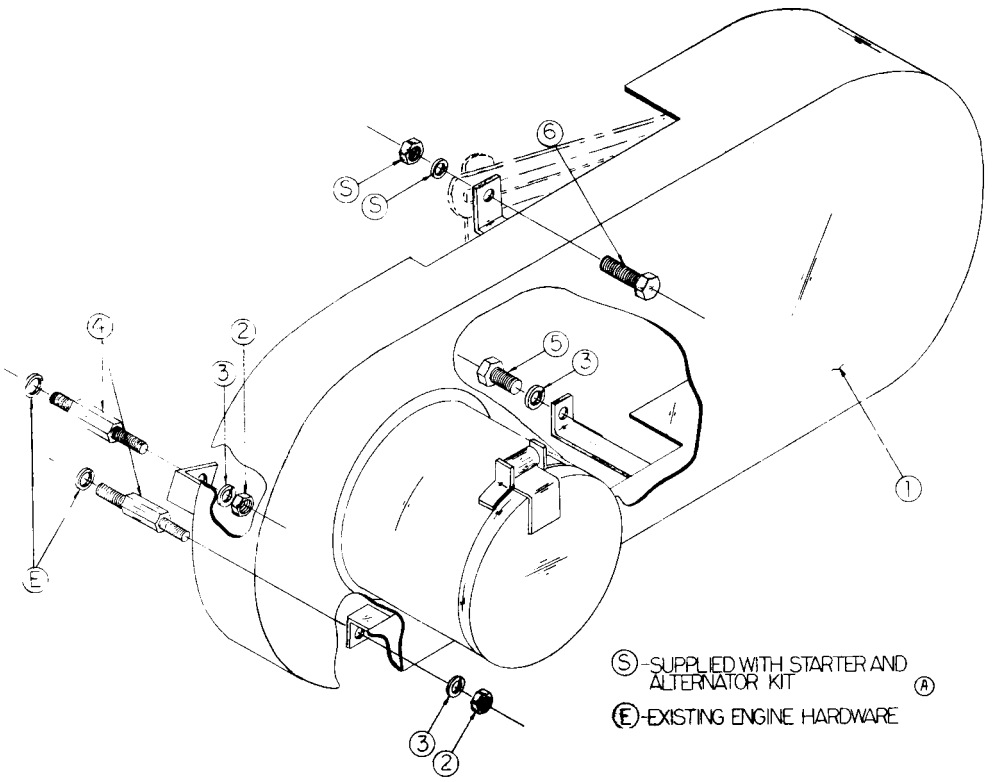
ELECTRIC START BELT GUARD KIT 997-00027

| | DESCRIPTION | PART NO. | QTY |
|----|--------------------------------|-----------|-----|
| 1. | BELT GUARD | 382-07448 | 1 |
| 2. | BOLT - 5/16" - 24 X 1" | 270-00061 | 1 |
| 3. | SPRING WASHER - 5/16" | 027-00413 | 1 |
| 4. | BOLT - 5/16" - 24 X 1-3/8" Lg. | 270-00062 | 1 |

HR2/3 ALTERNATOR BELT GUARD

LDI - ALTERNATOR BELT GUARD KIT 997-00044

| | DESCRIPTION | PART NO. | QTY |
|----|-----------------------------|-----------|-----|
| 1. | GUARD ASSEMBLY | 000-01076 | 1 |
| 2. | NUT - 5/16" UNF | 270-00003 | 2 |
| 3. | SPRING WASHER - 5/16" | 027-00413 | 3 |
| 4. | DISTANCE PIECE | 203-23970 | 2 |
| 5. | SETSCREW - 5/16" UNC X 5/8" | 270-00059 | 1 |
| 6. | SETSCREW - 5/16" UNF X 1" | 270-00061 | 1 |



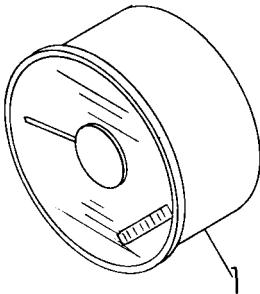
1-2934/14

ALTERNATOR BELT GUARD — HR2/3

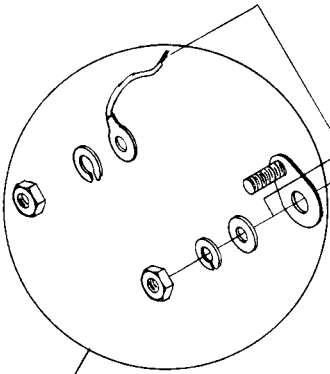
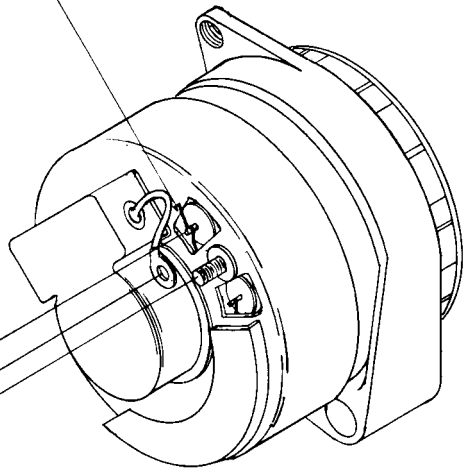
HR4/6/S6 TACHOMETER WITH HOUR METER

TACHOMETER WITH HOUR METER KIT 998-00013

| | DESCRIPTION | PART NO. | QTY |
|----|-------------------------|-----------|-----|
| 1. | TACHOMETER - Hour Meter | 000-00005 | 1 |
| 2. | A. C. TAP | 000-00042 | 1 |



- A.C. TAP WIRE MUST BE SOLDERED TO DIODE TERMINAL - FOLLOW INSTRUCTIONS SUPPLIED WITH KIT



2

NOTE - HEAD SHIPPED LOOSE

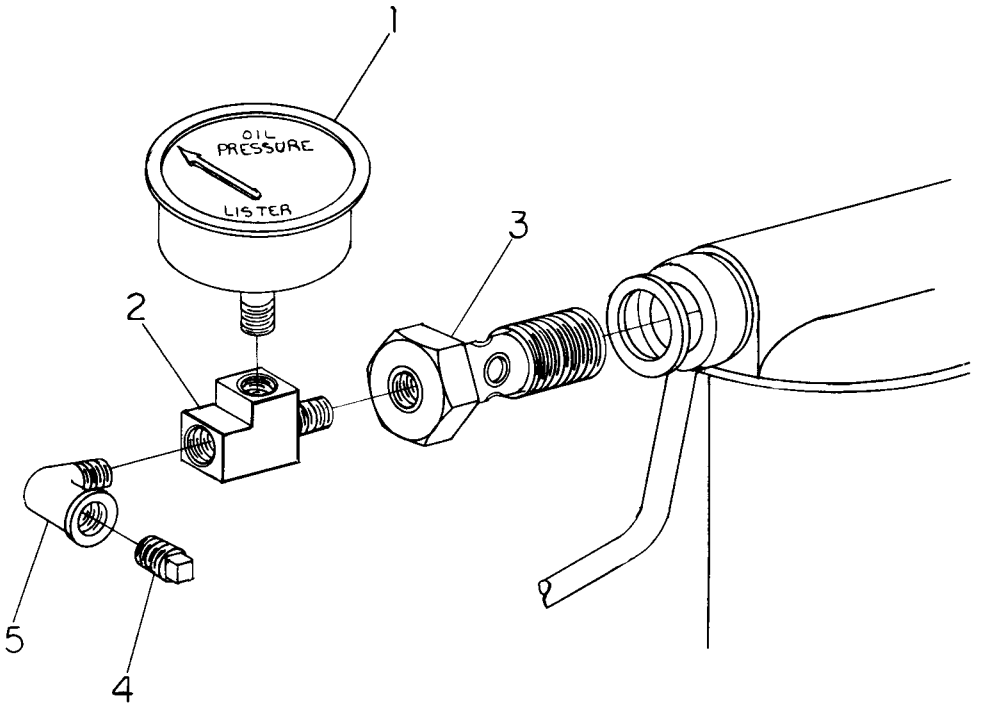
1-2923/15

TACHOMETER WITH HOUR RECORDER - HR2/3

HR2/3 OIL PRESSURE GAUGE

OIL PRESSURE GAUGE KIT 997-00015

| | DESCRIPTION | PART NO. | QTY |
|----|---|-----------|-----|
| 1. | GAUGE | 000-00635 | 1 |
| 2. | TEE | 101-00203 | 1 |
| 3. | PLUG | 000-00225 | 1 |
| 4. | PLUG - 1/8" NPT | 000-00002 | 1 |
| 5. | STREET ELBOW - 1/8" (Use Only With HR2) | 000-00890 | 1 |



1-2949/16

OIL PRESSURE GAUGE—HR2/3

HR2/3 HIGH AIR TEMPERATURE SWITCHES

HIGH AIR TEMPERATURE SWITCH KIT - N/O - FOR USE WITH ENERGIZED TO STOP 998-00142

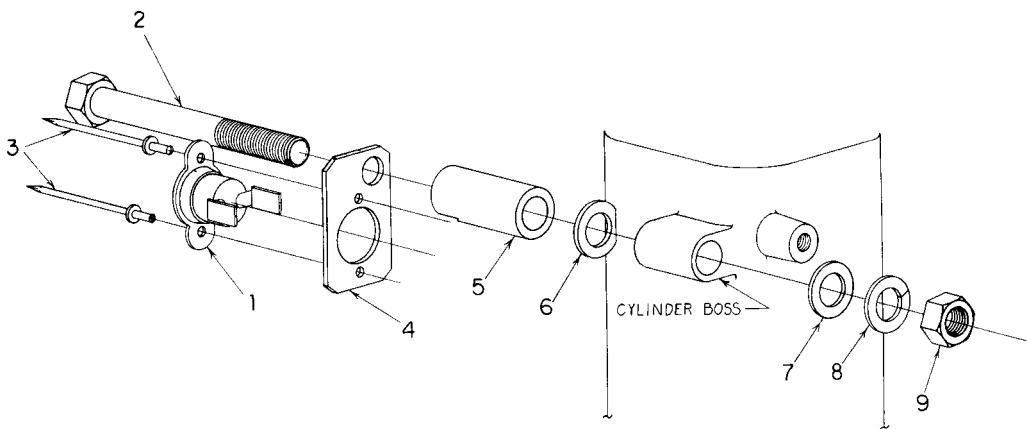
| | DESCRIPTION | PART NO. | QTY |
|----|---------------------------|-----------|-----|
| 1. | SWITCH - Temperature, N/O | 000-00688 | 1 |

HIGH AIR TEMPERATURE SWITCH KIT - N/C 998-00134

| | DESCRIPTION | PART NO. | QTY |
|----|---------------------------|-----------|-----|
| 1. | SWITCH - Temperature, N/C | 000-00606 | 1 |

ABOVE KITS WITH THE FOLLOWING:

| | DESCRIPTION | PART NO. | QTY |
|----|--|------------------|-----|
| 1. | SWITCH - Temperature | See Above | 1 |
| 2. | BOLT - Hex Head, 3/8" UNC X 2-3/4" Lg. | 000-00839 | 1 |
| 3. | POP RIVET- 1/8" Short | 000-00671 | 2 |
| 4. | MOUNTING BRACKET - Switch | 000-00658 | 1 |
| 5. | DISTANCE PIECE - Switch | 000-00659 | 1 |
| 6. | PLAIN WASHER - 3/8" | 000-00630 | 1 |
| 7. | PLAIN WASHER - 3/8" | 027-00184 | 1 |
| 8. | SPRING WASHER - 3/8" | 027-00393 | 1 |
| 9. | NUT - 3/8" UNC | 101-00605 | 1 |



1-2870/9

HIGH AIR TEMPERATURE SWITCHES—HR2/3

